

Quality & Value Since 1912

Premier

Manufacturers of Superior Quality
Gas, Electric And Commercial Style Ranges

Parts Catalog

P-1034-12

For Your Gas or Electric Range



IMPORTANT INFORMATION

The model and serial number of your range is stamped on the number plate. This plate is located on the burner box bottom underneath the top burners, or at the base of the front frame.

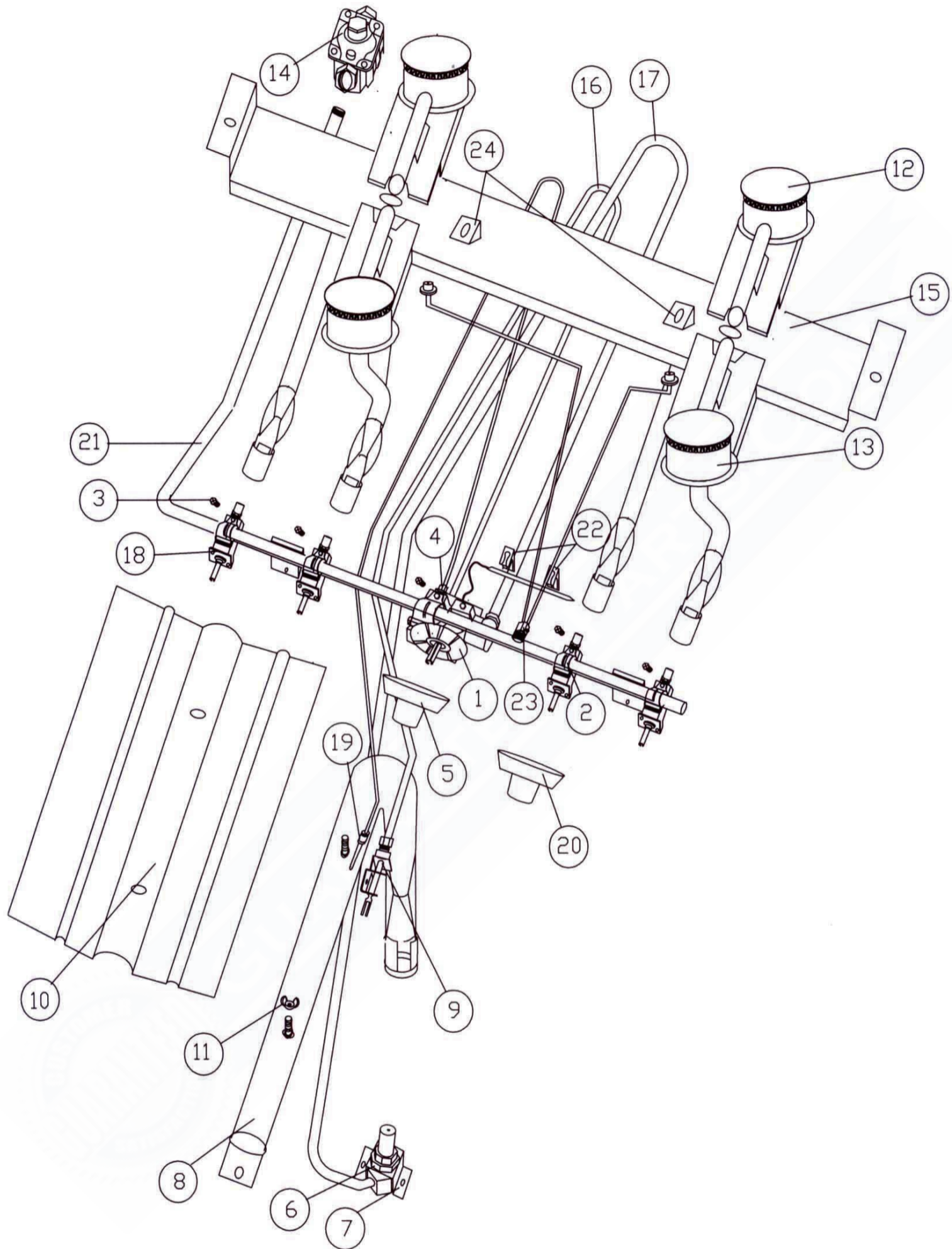
Always give the full model and serial number of your range in any communication concerning service.

When ordering repair parts always state color, model and serial number, along with quantity, part name, part number, and brand name.

R-SERIES PILOT IGNITION TOP BURNERS & OVEN BURNERS

<u>Ref No.</u>	<u>DESCRIPTION</u>	<u>20"</u>	<u>24"</u>	<u>30"</u>	<u>36"</u>
1	OVEN THERMOSTAT (Natural Gas)	1199	1199	1199	1199
	OVEN THERMOSTAT (Propane/LP Gas)	1202	1202	1202	1202
2	OVEN THERMOSTAT AND VALVE CLAMP	1227	1227	1227	1227
3	OVEN THERMOSTAT AND VALVE SCREW	1228	1228	1228	1228
4	OVEN THERMOSTAT 3/16" LOXIT FITTING	60008	60008	60008	60008
5	OVEN THERMOSTAT DIAL	6291	6291	6291	6291
6	PALNUT	1896	1896	1896	1896
7	ORIFICE BRACKET	0267	0267	0267	0267
8	OVEN BURNER	1366	1366	1366	1366
9	OVEN BURNER PILOT	1288	1288	1288	1288
10	OVEN BURNER BAFFLE	59035	59035	59035	59035
11	OVEN BURNER BAFFLE WINGNUT	59036	59036	59036	59036
12	REAR TOP BURNER	1405	1399	1399	1399
13	FRONT TOP BURNER	1404	1398	1398	1398
14	GAS PRESSURE REGULATOR (Natural Gas)	1976	1976	1976	1976
	GAS PRESSURE REGULATOR (Propane/LP Gas)	1976	1976	1976	1976
15	TOP BURNER HANGER-BSI	0541	0542	0543	0545
16	OVEN PILOT TUBING 3/16" O.D.	1885	1885	1885	1885
17	OVEN SUPPLY TUBING W/ORIFICE HOLDER (Natural Gas)	1895	1895	1895	1895
	OVEN SUPPLY TUBING W/ORIFICE HOLDER (Propane/LP Gas)	1895	1895	1895	1895
18	TOP BURNER VALVE- (Natural Gas)	1226	1226	1226	1226
	TOP BURNER VALVE- (Propane/LP Gas)	1226	1226	1226	1226
19	THERMOCOUPLE	1289	1289	1289	1289
20	TOP BURNER VALVE KNOB	6290	6290	6290	6290
21	MANIFOLD PIPE	1761	1762	1763	1764
22	CAPILLARY BULB CLIP	4770	4770	4770	4770
23	TOP BURNER 2-TUBE PILOT	1503	1503	1505	1506
24	TOP BURNER PILOT SHIELD	0870	0870	0870	0870

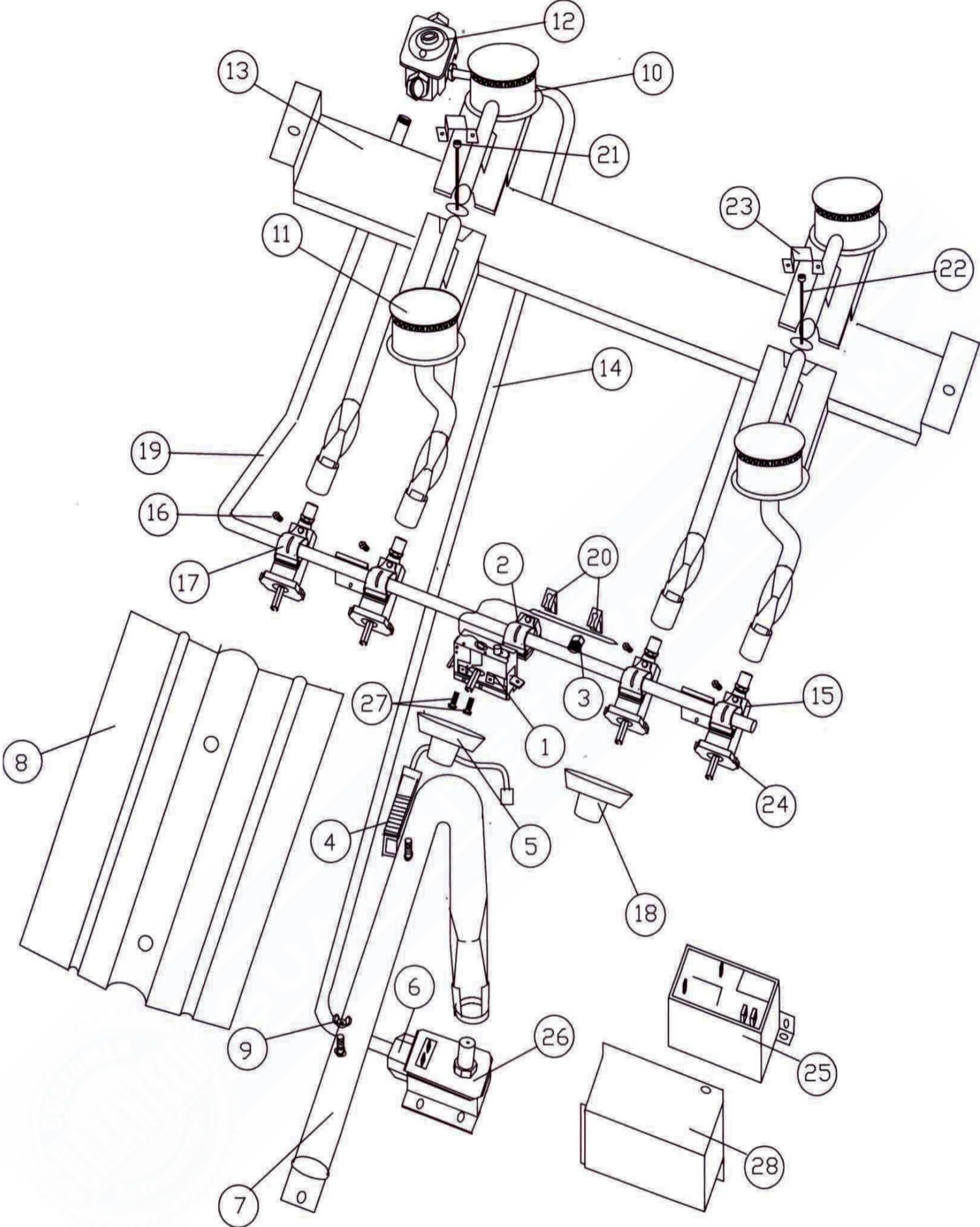
R-SERIES PILOT IGNITION AND TOP BURNERS



R-SERIES SPARK/HOT SURFACE TOP BURNERS & OVEN BURNER

Ref No.	DESCRIPTION	20"	24"	30"	36"
1	OVEN THERMOSTAT	1198	1198	1198	1198
2	CLAMP-ON PIPE PLUG ASSY.	1229	1229	1229	1229
3	1/8" PIPE PLUG	1017	1017	1017	1017
4	OVEN BURNER IGNITOR	1287	1287	1287	1287
5	OVEN THERMOSTAT DIAL	6292	6292	6292	6292
6	OVEN VALVE 3/8" LOXIT FITTING	1067	1067	1067	1067
7	OVEN BURNER	1365	1365	1365	1365
8	OVEN BURNER BAFFLE	59035	59035	59035	59035
9	OVEN BURNER BAFFLE WINGNUT	59036	59036	59036	59036
10	REAR TOP BURNER	1405	1399	1399	1399
11	FRONT TOP BURNER	1404	1398	1398	1398
12	GAS PRESSURE REGULATOR (Natural Gas)	1977	1977	1977	1977
	GAS PRESSURE REGULATOR (Propane/LP Gas)	1977	1977	1977	1977
13	TOP BURNER HANGER	0541	0542	0543	0545
14	3/8" SUPPLY TUBING	1897	1897	1897	1897
15	TOP BURNER VALVE (Natural Gas)	1226	1226	1226	1226
	TOP BURNER VALVE (Propane/LP Gas)	1232	1232	1232	1232
16	TOP BURNER VALVE AND THERMOSTAT SCREW	1228	1228	1228	1228
17	TOP BURNER VALVE AND THERMOSTAT CLAMP	1227	1227	1227	1227
18	TOP BURNER VALVE KNOB	6290	6290	6290	6290
19	MANIFOLD PIPE	1761	1762	1763	1764
20	CAPILLARY BULB CLIP	4770	4770	4770	4770
21	TOP BURNER ELECTRODE (LEFT SIDE)	1486	1486	1487	1487
22	TOP BURNER ELECTRODE (RIGHT SIDE)	1485	1485	1485	1485
23	TOP BURNER ELECTRODE GROUND STRAP	1488	1488	1488	1488
24	TOP BURNER VALVE SWITCH	1247	1247	1247	1247
25	SPARK MODULE 110V-HARPER 2 +1	2361	2361	2361	2361
26	3 VOLT VALVE (Natural Gas)	1286	1286	1286	1286
	3 VOLT VALVE (Propane/LP Gas)	1286	1286	1286	1286
27	THERMOSTAT SCREW	59694	59694	59694	59694
28	MODULE BOX COVER	0979	0979	0979	0979

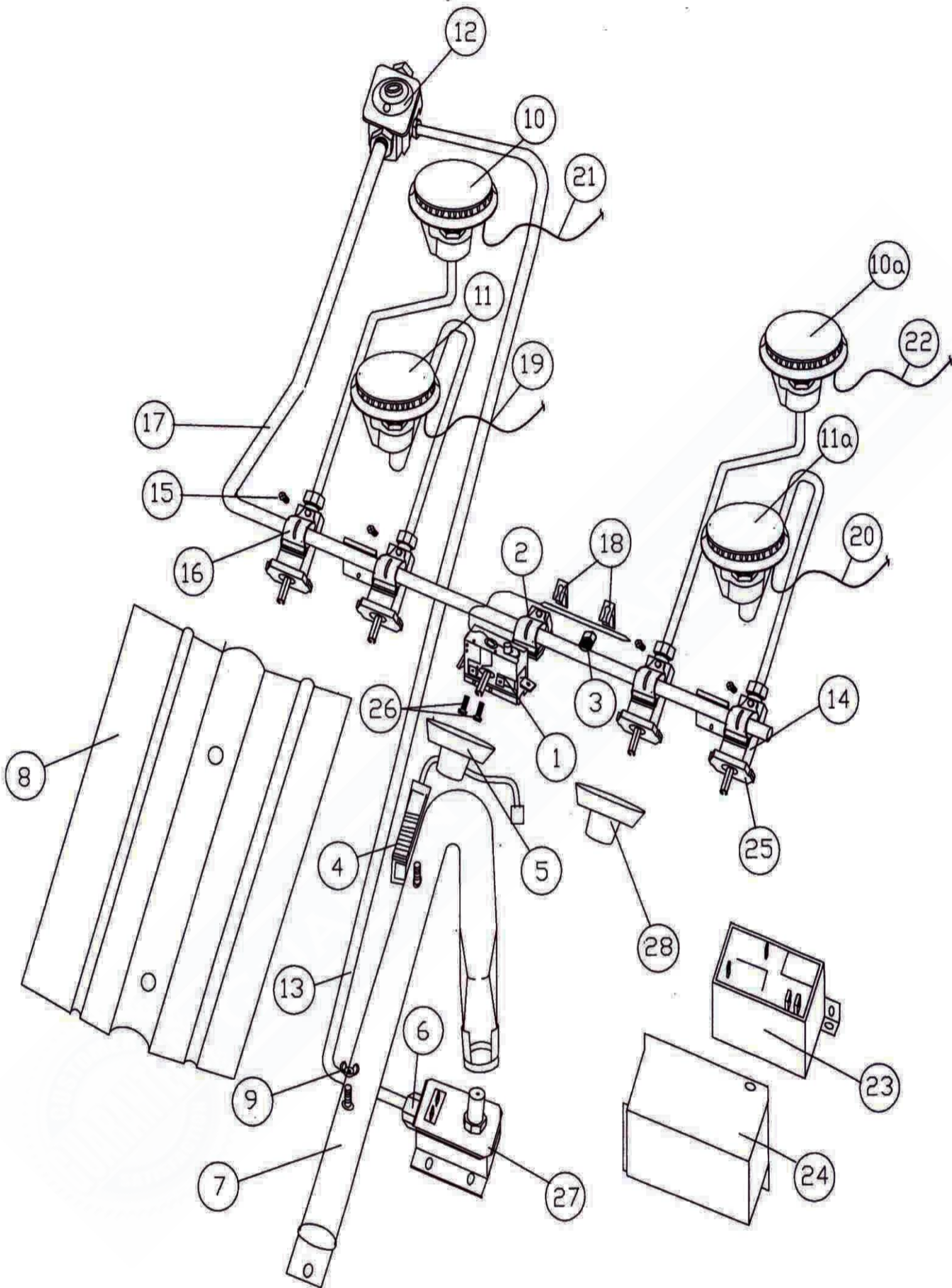
SPARK/HOT SURFACE TOP BURNER & OVEN BURNER



R-SERIES SEALED TOP BURNERS & OVEN BURNER

<u>Ref No.</u>	<u>DESCRIPTION</u>	<u>24"</u>	<u>30"</u>
1	OVEN THERMOSTAT	1198	1198
2	CLAMP-ON PIPE PLUG ASSY.	1229	1229
3	1/8" PIPE PLUG	1017	1017
4	OVEN BURNER IGNITOR	1287	1287
5	OVEN THERMOSTAT DIAL	6292	6292
6	OVEN VALVE 3/8" LOXIT FITTING	1067	1067
7	OVEN BURNER	1365	1365
8	OVEN BURNER BAFFLE	59035	59035
9	OVEN BURNER BAFFLE WINGNUT	59036	59036
10	REAR TOP BURNER (LEFT) See Sealed burner components	1516	1516
10a	REAR TOP BURNER (RIGHT) See Sealed burner components	1514	1514
11	FRONT TOP BURNER (LEFT)	1513	1513
11a	FRONT TOP BURNER (RIGHT)	1414	1414
12	GAS PRESSURE REGULATOR (Natural Gas)	1977	1977
	GAS PRESSURE REGULATOR (Propane/LP Gas)	1977	1977
13	OVEN SUPPLY TUBING 3/8" O.D.	1897	1897
14	TOP BURNER VALVE (Natural Gas)	1226	1226
	TOP BURNER VALVE (Propane/LP Gas)	1226	1226
15	TOP BURNER VALVE AND THERMOSTAT SCREW	1228	1228
16	TOP BURNER VALVE AND THERMOSTAT CLAMP	1227	1227
17	MANIFOLD PIPE	1762	1763
18	CAPILLARY BULB CLIP	4770	4770
19	TOP BURNER ELECTRODE WIRE (LEFT SIDE FRONT)	1493	1493
20	TOP BURNER ELECTRODE WIRE (RIGHT SIDE FRONT)	1494	1494
21	TOP BURNER ELECTRODE WIRE (LEFT SIDE REAR)	1493	1493
22	TOP BURNER ELECTRODE WIRE (RIGHT SIDE REAR)	1494	1494
23	SPARK MODULE- 110 VOLT HARPER 4+1	2361	2361
24	MODULE COVER- OPTIONAL	0979	0979
25	TOP BURNER VALVE SWITCH	1247	1247
26	THERMOSTAT SCREWS	59694	59694
27	3 VOLT VALVE (Natural Gas)	1286	1286
	3 VOLT VALVE (Propane/LP Gas)	1286	1286
28	TOP BURNER VALVE KNOB	6290	6290

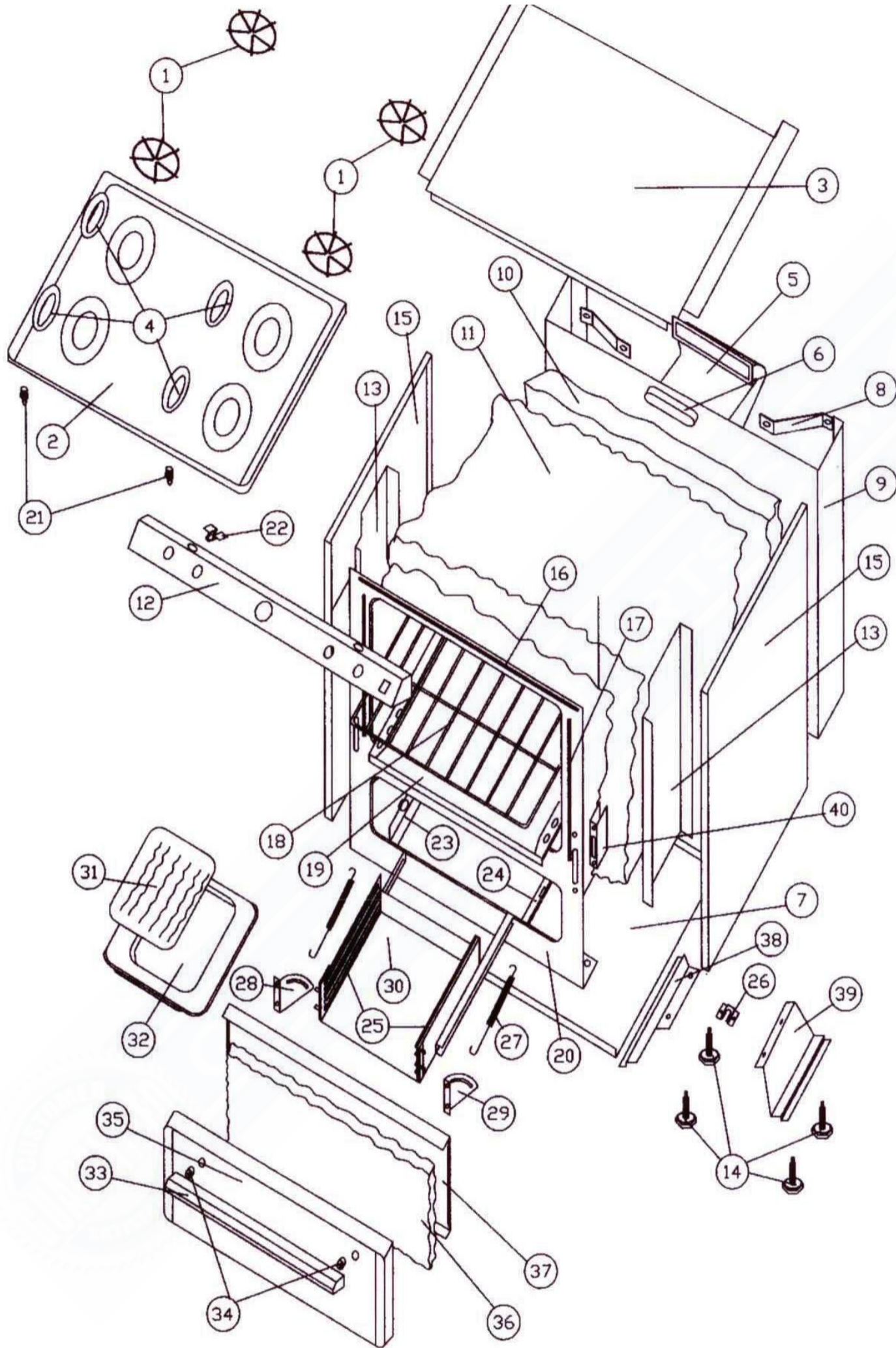
R-SERIES SEALED TOP BURNERS AND OVEN BURNER



R-SERIES MAIN BODY FOR 20, 24, & 30 INCH GAS RANGES

<u>Ref No.</u>	<u>DESCRIPTION</u>	<u>20"</u>	<u>24"</u>	<u>30"</u>
1	TOP GRATE	7080	7080	7080
1a	CAST IRON GRATE	7086	7086	7086
2	MAIN TOP	5275	5292	5291
3	BURNER BOX BOTTOM	0180	0182	0184
4	CHROME BURNER BOWLS	7082	7082	7082
5	FLUE BOX	0668	0667	0667
6	FLUE BOX RING	0868	0868	0868
7	MAIN BOTTOM	0256	0257	0257
8	BACK BRACE	0520	0517	0517
9	MAIN BACK	0306	0313	0314
10	OVEN BACK INSULATION	8970	8972	8971
11	OVEN WRAP INSULATION	8870	8870	8871
12	MANIFOLD COVER- NO SWITCH OPENING	5132	5133	5134
12a	MANIFOLD COVER- SWITCH OPENING (not shown)	5139	5140	5141
12b	MANIFOLD COVER DECAL (not shown)	4992	4993	4994
13	INNER SIDE BAFFLE	0698	0698	0698
14	LEG LEVELER	4560	4560	4560
15	MAIN SIDE	5476	5486	5486
16	TOP OVEN DOOR GASKET	7870	7874	7872
17	SIDE OVEN DOOR GASKET	7875	7875	7870
18	OVEN RACK	7470	7472	7471
19	OVEN BOTTOM	5699	5701	5733
20	OVEN FRONT FRAME	5767	5768	5769
21	MAIN TOP STRIKE PIN	4871	4871	4871
22	MAIN TOP STRIKE PIN CATCH	4973	4973	4973
23	LEFT BROILER RUNNER WITH BEARINGS	0570	0570	0570
24	RIGHT BROILER RUNNER WITH BEARINGS	0571	0571	0571
25	BROILER PAN GLIDES	5972	5972	5972
26	ANTI-TIP BRACKET	0500	0500	0500
27	BROILER DOOR SPRINGS	8070	8070	8070
28	LEFT BROILER HINGE	8170	8170	8170
29	RIGHT BROILER HINGE	8171	8171	8171
30	BROILER BODY	5971	5970	5970
31	BROILER GRILL	7370	7370	7370
32	BROILER PAN	7271	7270	7270
33	DOOR HANDLE	6576	6576	6576
34	DOOR HANDLE SPACER	4681	4681	4681
35	BROILER DOOR PANEL	5396	5397	5405
36	BROILER DOOR INSULATION	8810	8812	8811
37	BROILER DOOR LINING	5553	5554	5565
38	LEFT REAR SIDE SUPPORT	0535	0535	0535
39	RIGHT REAR SIDE SUPPORT	0536	0536	0536
40	HINGE RECEIVER	-----	8203	8203

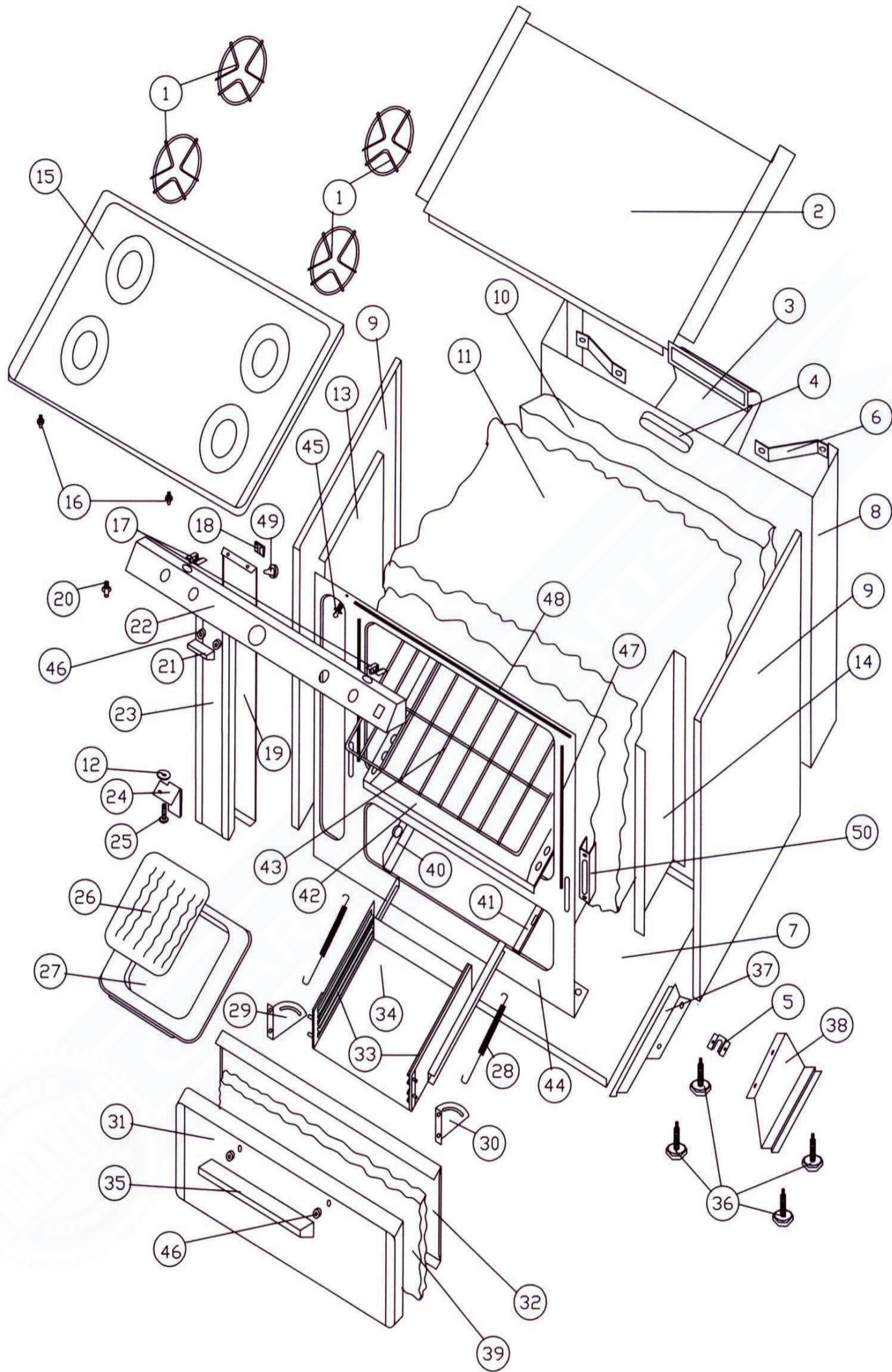
R-SERIES MAIN BODY FOR 20, 24 & 30 INCH GAS RANGE



R-SERIES MAIN BODY FOR 36 INCH GAS RANGE

<u>Ref No.</u>	<u>DESCRIPTION</u>	<u>20"</u>	<u>24"</u>	<u>30"</u>	<u>36"</u>
1	TOP GRATE				7080
1a	CAST IRON GRATE				7086
2	BURNER BOX BOTTOM				0186
3	FLUE BOX				0667
4	FLUE BOX RING				0868
5	ANTI-TIP BRACKET				0500
6	BACK BRACE				0517
7	MAIN BOTTOM				0259
8	MAIN BACK				0315
9	MAIN SIDE				5486
10	OVEN BACK INSULATION				8971
11	OVEN WRAP INSULATION				8871
12	COMPARTMENT DR HINGE SPACER				0770
13	COMPARTMENT LINER				5478
14	INNER SIDE BAFFLE				0698
15	MAIN TOP				5288
16	MAIN TOP STRIKE PIN				4871
17	MAIN TOP STRIKE PIN CATCH				4973
18	COMPARTMENT DR STRIKE CATCH				4971
19	COMPARTMENT DOOR LINING				5539
20	COMP. DR. UPPER HINGE PIN				4872
21	COMPARTMENT DOOR HANDLE				6575
22	MANIFOLD COVER (NO SWITCH)(not shown)				5070
22a	MANIFOLD COVER w/switch opening				5107
22b	MANIFOLD COVER DECAL (not shown)				5046
23	COMPARTMENT DOOR PANEL				5378
24	COMP. DR. HINGE BRACKET				0483
25	COMP. DR. LOWER HINGE PIN				4873
26	BROILER GRILL				7370
27	BROILER PAN				7270
28	BROILER DOOR SPRING				8070
29	LEFT BROILER HINGE				8170
30	RIGHT BROILER HINGE				8171
31	BR. DR. PANEL				5405
32	BROILER DOOR LINING				5565
33	BROILER PAN GLIDE				5972
34	BROILER BODY				5970
35	BROILER DOOR HANDLE				6576
36	LEG LEVELER				4560
37	LEFT REAR SIDE SUPPORT				0535
38	RIGHT REAR SIDE SUPPORT				0536
39	BROILER DOOR INSULATION				8811
40	LEFT BROILER RUNNER W/BEARING				0570
41	RT. BROILER RUNNER W/BEARING				0571
42	OVEN BOTTOM				5733
43	OVEN RACK				7471
44	OVEN FRONT FRAME				5772
45	COMPARTMENT DOOR STRIKE				4871
46	DOOR HANDLE SPACER				4681
47	SIDE OVEN DOOR GASKETS				7870
48	TOP OVEN DOOR GASKET				7872
49	COMP. DR LINING RUBBER BUMPER				4730
50	HINGE RECEIVER				8203

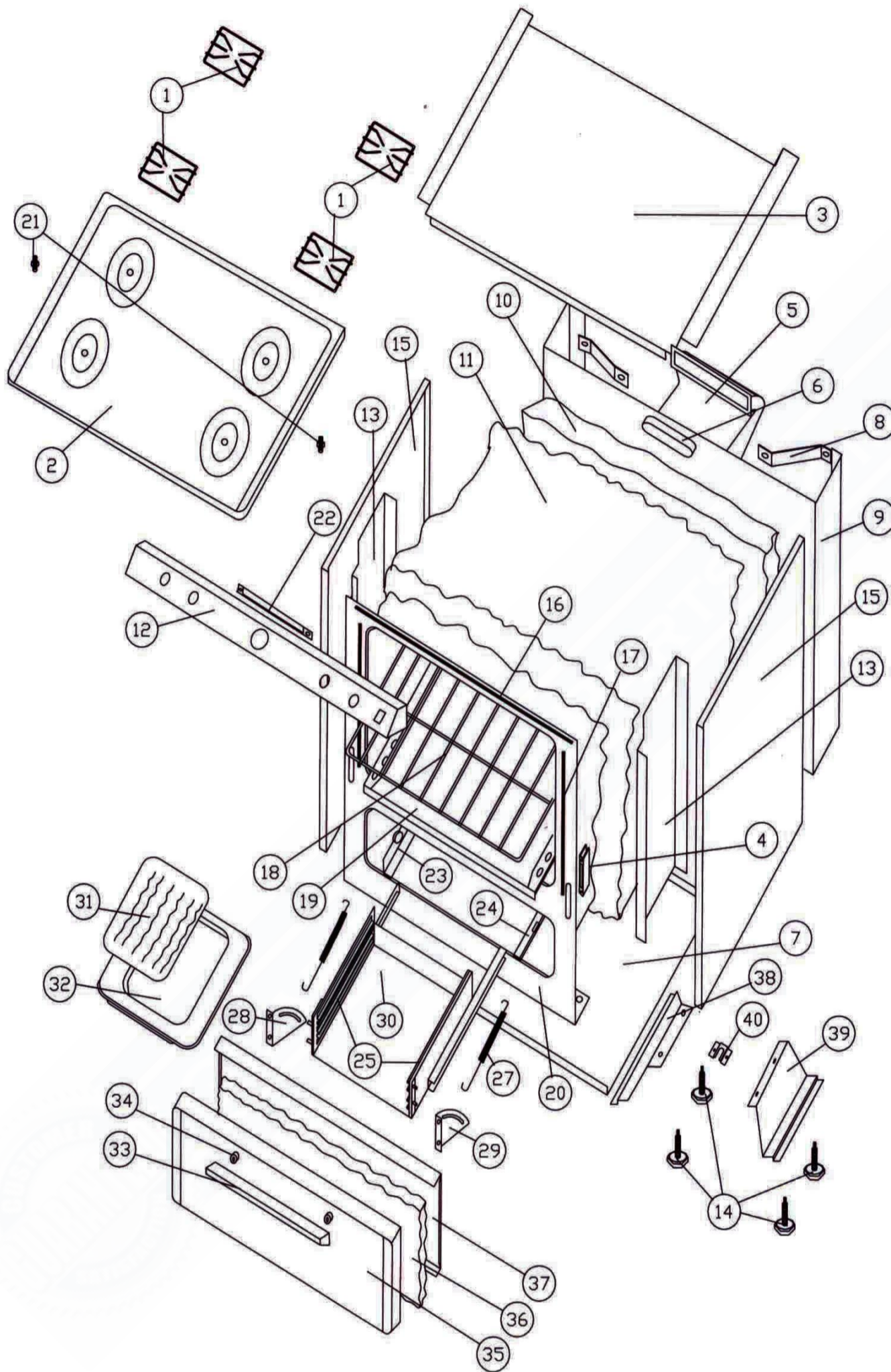
R-SERIES MAIN BODY FOR 36 INCH GAS RANGES



R-SERIES MAIN BODY FOR SEALED BURNER GAS RANGE

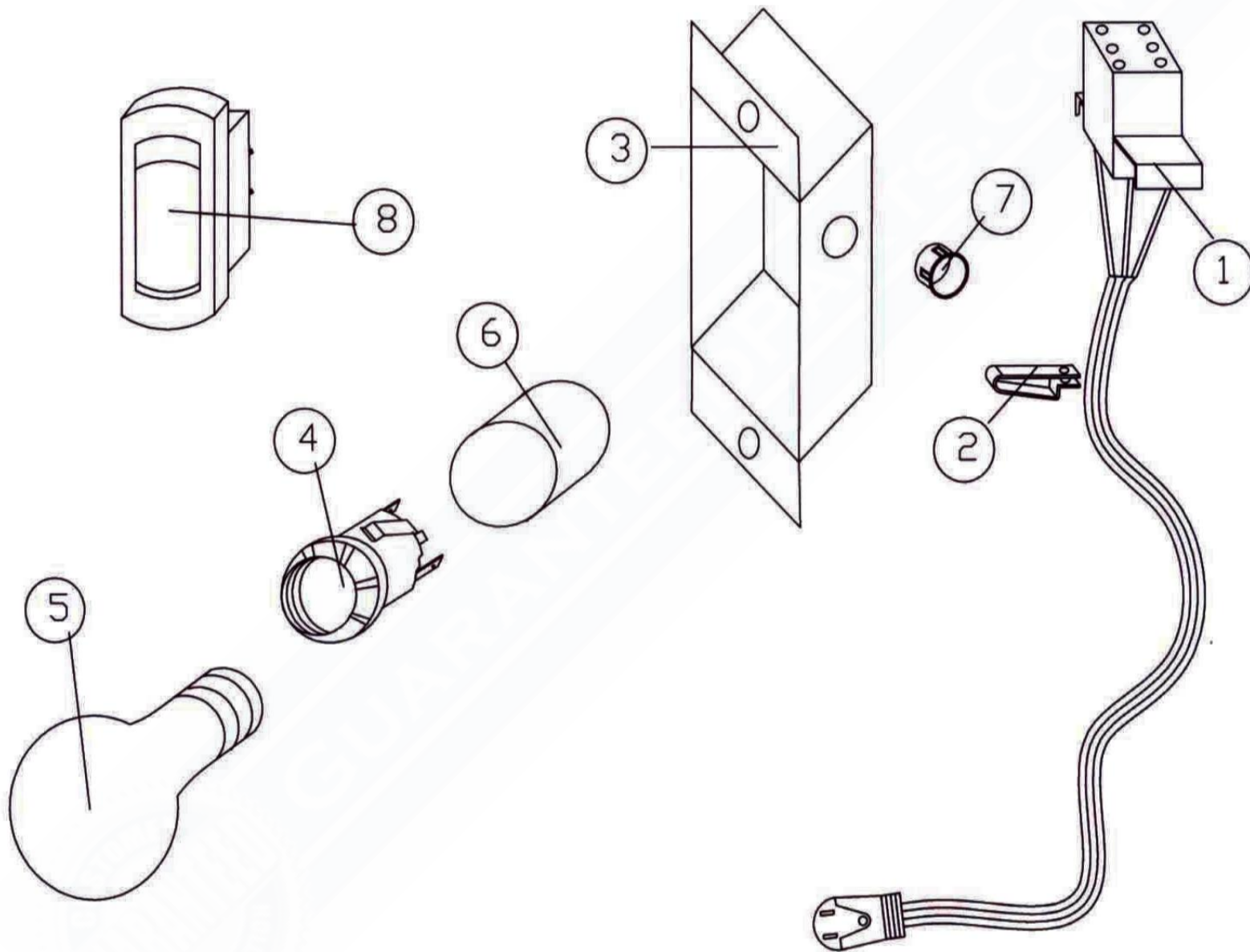
<u>Ref No.</u>	<u>DESCRIPTION</u>	<u>20"</u>	<u>24"</u>	<u>30"</u>
1	TOP GRATE		7085	7087
2	MAIN TOP		5278	5267
3	BURNER BOX BOTTOM		0183	0185
4	HINGE RECEIVER		8203	8203
5	FLUE BOX		0667	0667
6	FLUE BOX RING		0868	0868
7	MAIN BOTTOM		0258	0258
8	BACK BRACE		0517	0517
9	MAIN BACK		0313	0314
10	OVEN BACK INSULATION		8972	8971
11	OVEN WRAP INSULATION		8870	8871
12	MANIFOLD COVER - No Switch opening (not shown)		5150	5151
12A	MANIFOLD COVER- Switch Opening		5157	5158
12B	MANIFOLD COVER DECAL (not shown)		4985	4986
13	INNER SIDE BAFFLE		0698	0698
14	LEG LEVELER		4560	4560
15	MAIN SIDE		5486	5486
16	TOP OVEN DOOR GASKET		7872	7872
17	SIDE OVEN DOOR GASKET		7870	7870
18	OVEN RACK		7472	7471
19	OVEN BOTTOM		5701	5733
20	OVEN FRONT FRAME		5751	5752
21	MAIN TOP RETAINER SCREW		4880	4880
22	MAIN TOP FRONT RETAINER		5269	5269
23	LEFT BROILER RUNNER WITH BEARINGS		0570	0570
24	RIGHT BROILER RUNNER WITH BEARINGS		0571	0571
25	BROILER PAN GLIDES		5972	5972
27	BROILER DOOR SPRING		8070	8070
28	LEFT BROILER HINGE		8170	8170
29	RIGHT BROILER HINGE		8171	8171
30	BROILER BODY		5970	5970
31	BROILER GRILL		7370	7370
32	BROILER PAN		7270	7270
33	DOOR HANDLE		6572	6572
34	DOOR HANDLE SPACER		4681	4681
	DOOR HANDLE SPACER		4680	4680
35	BROILER DOOR PANEL		5397	5405
36	BROILER DOOR INSULATION		8812	8811
37	BROILER DOOR LINING		5554	5565
38	LEFT REAR SIDE SUPPORT		0535	0535
39	RIGHT REAR SIDE SUPPORT		0536	0536
40	ANTI-TIP BRACKET		0500	0500

R-SERIES MAIN BODY FOR SEALED BURNER GAS RANGE



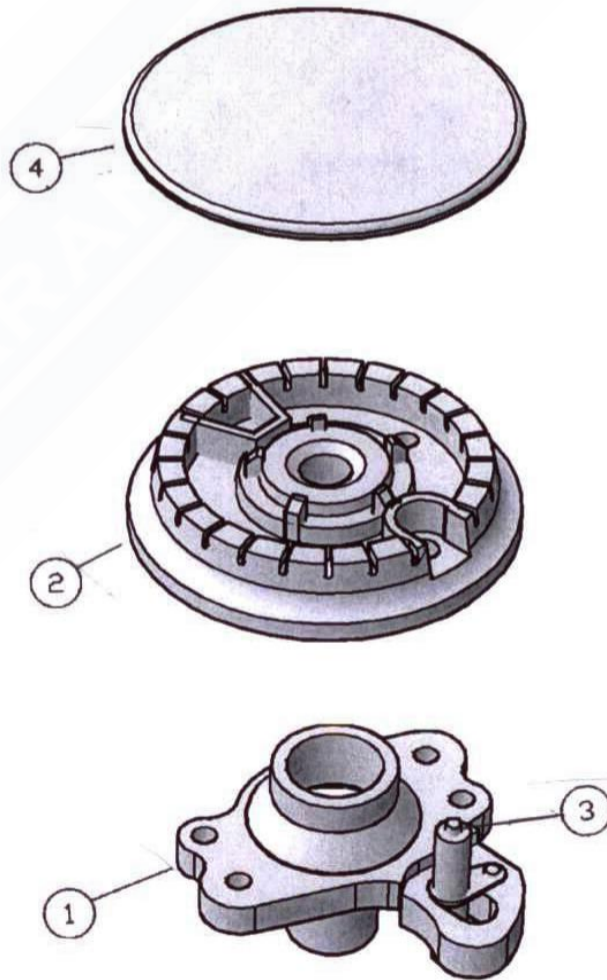
GAS RANGE OVEN LIGHT COMPONENTS

Ref No.	DESCRIPTION	20"	24"	30"	36"
1	POWER SUPPLY CORD	59698	59698	59698	59698
2	POWER SUPPLY CORD STRAIN RELIEF	4975	4975	4975	4975
3	POWER BOX	0977	0977	0977	0977
4	OVEN LIGHT RECEPTACLE	2870	2870	2870	2870
5	APPLIANCE LIGHT BULB 115V-40W	2670	2670	2670	2670
6	OVEN LIGHT RING	0873	0873	0873	0873
7	WIRE BUSHING	0070	0070	0070	0070
8	2-WAY LIGHT SWITCH (BLACK)	2488	2488	2488	2488



SEALED BURNER COMPONENTS

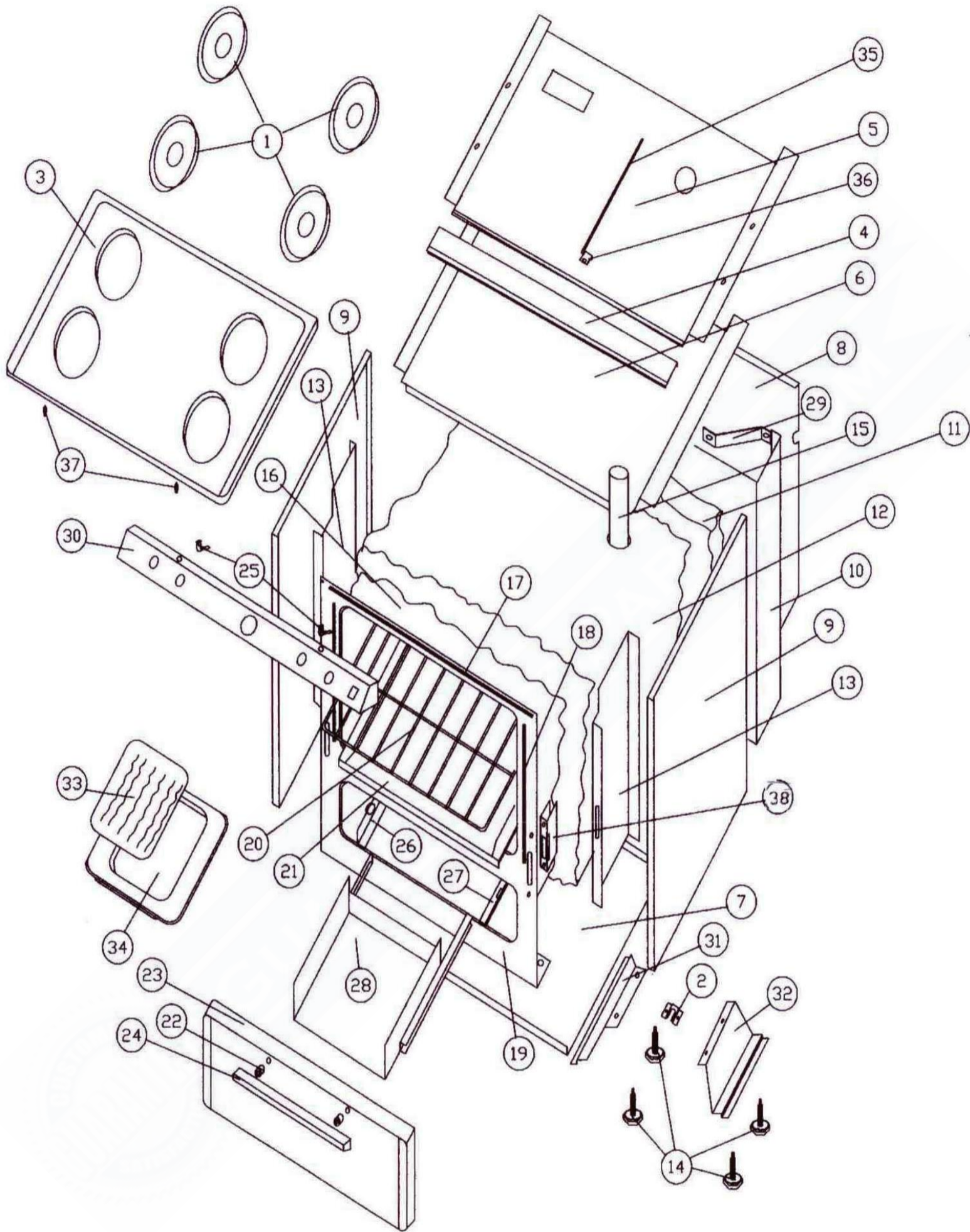
Ref No.	DESCRIPTION	20"	24"	30"	36"
1	SPUD HOLDER/W TUBING				
	LEFT FRONT		1508	1508	1508
	LEFT REAR		1511	1511	1511
	CENTER FRONT				1509
	CENTER REAR				1509
	RIGHT FRONT		1509	1509	1510
	RIGHT REAR		1509	1509	1509
2	BURNER BASE				
	LEFT FRONT		1454	1454	1454
	LEFT REAR		1457	1457	1457
	CENTER FRONT				1455
	CENTER REAR				1455
	RIGHT FRONT		1455	1455	1456
	RIGHT REAR		1455	1455	1455
3	BURNER ELECTRODE (ALL BURNERS)		1512	1512	1512
4	BURNER CAP				
	LEFT FRONT		1458	1458	1458
	LEFT REAR		1461	1461	1461
	CENTER FRONT				1459
	CENTER REAR				1459
	RIGHT FRONT		1459	1459	1460
	RIGHT REAR		1459	1459	1459



MAIN BODY FOR 20, 24, & 30 INCH ELECTRIC RANGES

<u>Ref No.</u>	<u>DESCRIPTION</u>	<u>20"</u>	<u>24"</u>	<u>30"</u>
1	LARGE TOP ELEMENT BOWL	7770	7770	7770
1a	SMALL TOP ELEMENT BOWL	7771	7771	7771
2	ANTI-TIP BRACKET	0500	0500	0500
3	MAIN TOP w/(3) 6in. ELEMENTS (1) 8in. ELEMENT	5298	5299	5296
3a	MAIN TOP w/(2) 6in. ELEMENTS (2) 8in. ELEMENTS	-----	-----	5300
4	FRONT SWITCH COVER	0992	0993	0994
5	UPPER BURNER BOX BOTTOM	0194	0195	0196
6	LOWER BURNER BOX BOTTOM	0181	0183	0185
7	MAIN BOTTOM	0256	0257	0258
8	BACK COVER	0953	0960	0951
9	MAIN SIDE	5476	5486	5486
10	MAIN BACK	0310	0311	0312
11	OVEN BACK INSULATION	8970	8972	8971
12	OVEN WRAP INSULATION	8870	8870	8871
13	INNER SIDE BAFFLE	0698	0698	0698
14	LEG LEVELER	4560	4560	4560
15	OVEN VENT TUBE	1876	1876	1876
17	TOP OVEN DOOR GASKET	7870	7874	7872
18	SIDE OVEN DOOR GASKET	7875	7875	7870
19	OVEN FRONT FRAME	5767	5768	5769
20	OVEN RACK	7470	7472	7471
21	OVEN BOTTOM	5619	5617	5735
21a	OVEN BOTTOM INSULATION-See Oven Cavity	8970	8972	8971
21b	OVEN BOTTOM INSULATION RETAINER-See Oven Cavity	0956	0955	0954
22	DOOR HANDLE SPACER	4681	4681	4681
23	STORAGE DRAWER PANEL	5385	5386	5387
23a	DRAWER PANEL BUMPERS	4730	4730	4730
24	DOOR HANDLE	6576	6576	6576
25	MAIN TOP STRIKE PIN CATCH	4973	4973	4973
26	LEFT STORAGE DRAWER RUNNER	0570	0572	0572
27	RIGHT STORAGE DRAWER RUNNER	0571	0573	0573
28	STORAGE DRAWER BODY	5955	5954	5953
29	BACK BRACE	0520	0517	0517
30	CONTROL PANEL- NO SWITCH OPENING-INVENSYS	5066	5067	5068
30a	CONTROL PANEL- W/SWITCH OPENING-INVENSYS	5146	5147	5148
30b	CONTROL PANEL DECAL (not shown)	5049	5050	5051
31	LEFT REAR SIDE SUPPORT	0535	0535	0535
32	RIGHT REAR SIDE SUPPORT	0536	0536	0536
33	BROILER GRILL	7370	7370	7370
34	BROILER PAN	7271	7271	7271
35	MAIN TOP SUPPORT ROD	59573	59573	59573
36	MAIN TOP SUPPORT ROD CLIP	59792	59792	59792
37	MAIN TOP STRIKE PIN	4871	4871	4871
38	HINGE RECIEVER	-----	8203	8203

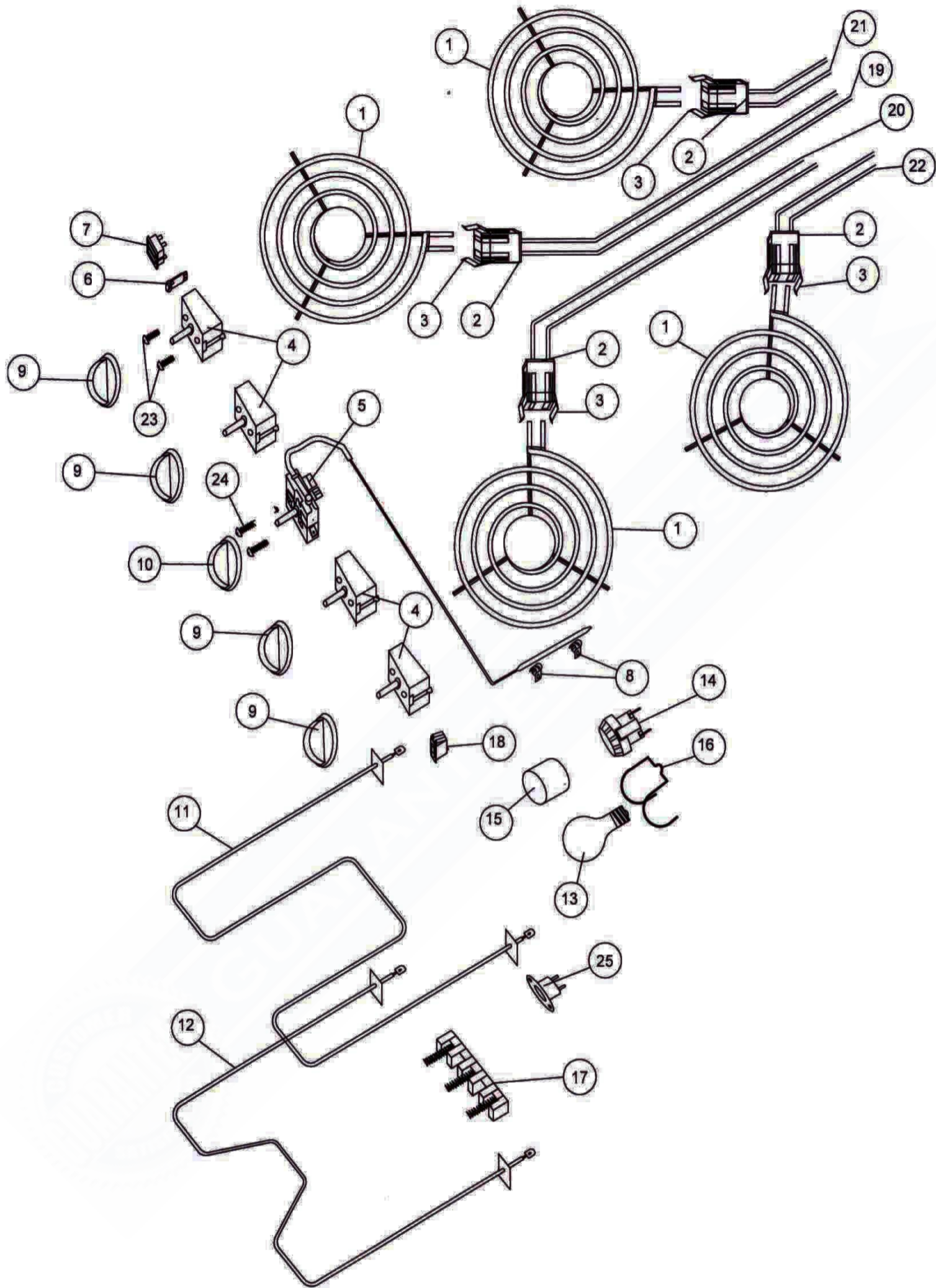
MAIN BODY FOR 20, 24, & 30 INCH ELECTRIC RANGES



ELECTRIC TOP & OVEN ELEMENTS WITH CONTROLS

<u>Ref No.</u>	<u>DESCRIPTION</u>	<u>20"</u>	<u>24"</u>	<u>30"</u>
1	1250W. 6IN. (small coil element)	2391B	2391B	2391B
	2100W. 8IN. (large coil element)	2392B	2392B	2392B
2	TOP ELEMENT RECEPTACLE BLOCK	2875A	2875A	2875A
3	TOP ELEMENT RECEPTACLE BRACKET	2875B	2875B	2875B
	RECEPTACLE BLOCK W/WIRES	2875	2875	2875
4	SMALL COIL ELEMENT SWITCH- 1250W CSI	2286	2286	2286
	LARGE COIL ELEMENT SWITCH- 2100W. CSI	2287	2287	2287
5	THERMOSTAT	2169	2169	2169
6	SIGNAL LIGHT- SURFACE ONLY	2672		
7	SIGNAL LIGHT - SURFACE & OVEN		2675	2675
8	CAPILLARY BULB CLIP	4770	4770	4770
9	SURFACE ELEMENT KNOB	6476	6476	6476
10	THERMOSTAT DIAL	6376	6376	6376
11	BROIL ELEMENT	2396	2396	2396
12	BAKE ELEMENT	2395	2395	2395
13	APPLIANCE LIGHT BULB 115V - 40W	2670	2670	2670
14	OVEN LIGHT RECEPTACLE	2870	2870	2870
15	OVEN LIGHT RING	0873	0873	0873
16	OVEN LIGHT GUARD	0869	0869	0869
17	TERMINAL BLOCK	2771	2771	2771
18	2 - WAY LIGHT SWITCH	2488	2488	2488
19	LEFT FRONT ELEMENT WIRE	3090	3090	3090
20	RIGHT FRONT ELEMENT WIRE	3093	3093	3093
21	LEFT REAR ELEMENT WIRE	3091	3091	3091
22	RIGHT REAR ELEMENT WIRE	3092	3092	3092
23	TOP ELEMENT SWITCH SCREWS	60206	60206	60206
24	THERMOSTAT MOUNTING SCREW	59755	59755	59755
25	LIMIT SWITCH	2150	2150	2150

ELECTRIC TOP & OVEN ELEMENTS WITH CONTROLS

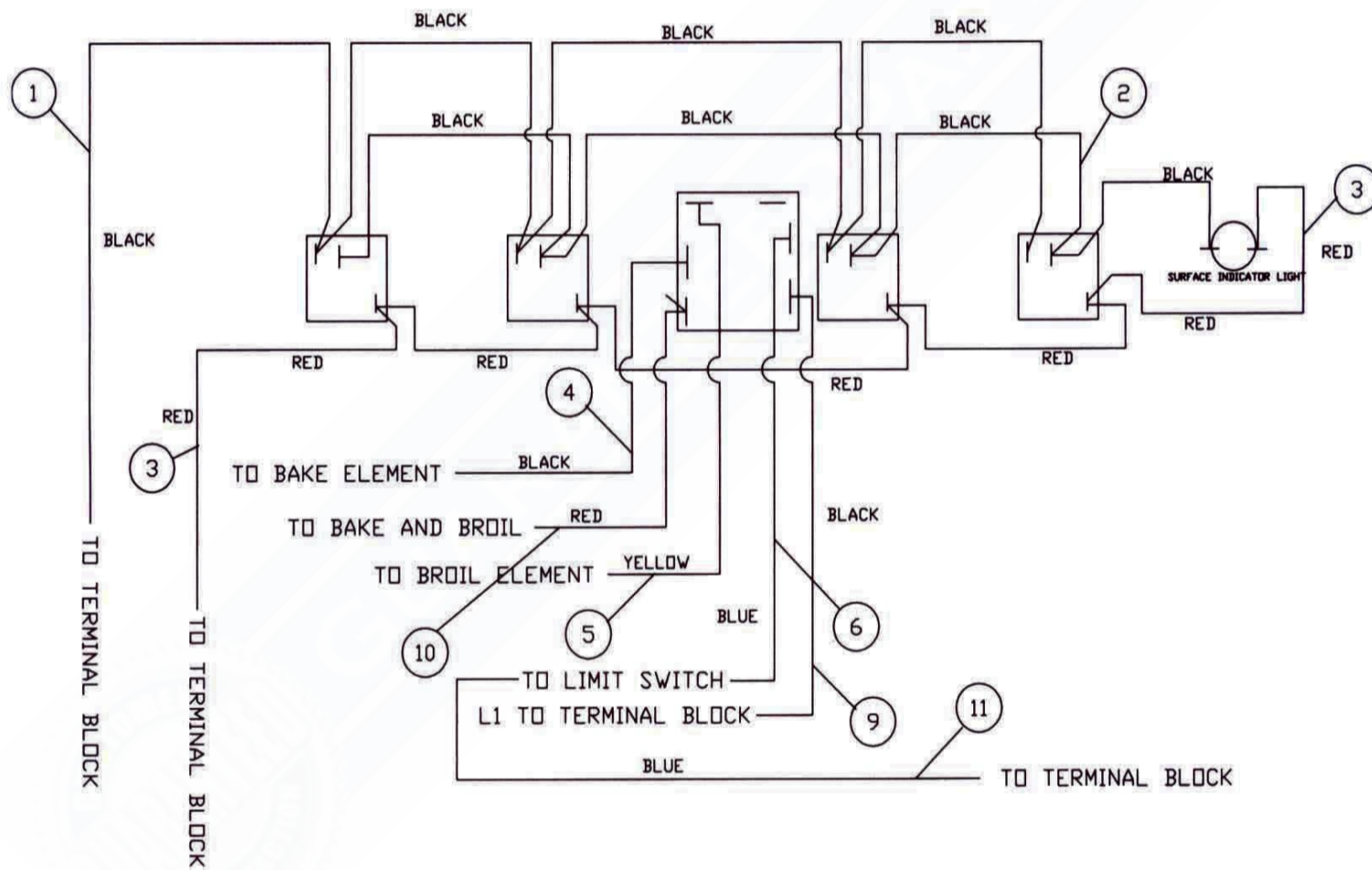


20 IN. ELECTRIC RANGE WIRING

Ref No. DESCRIPTION

20"

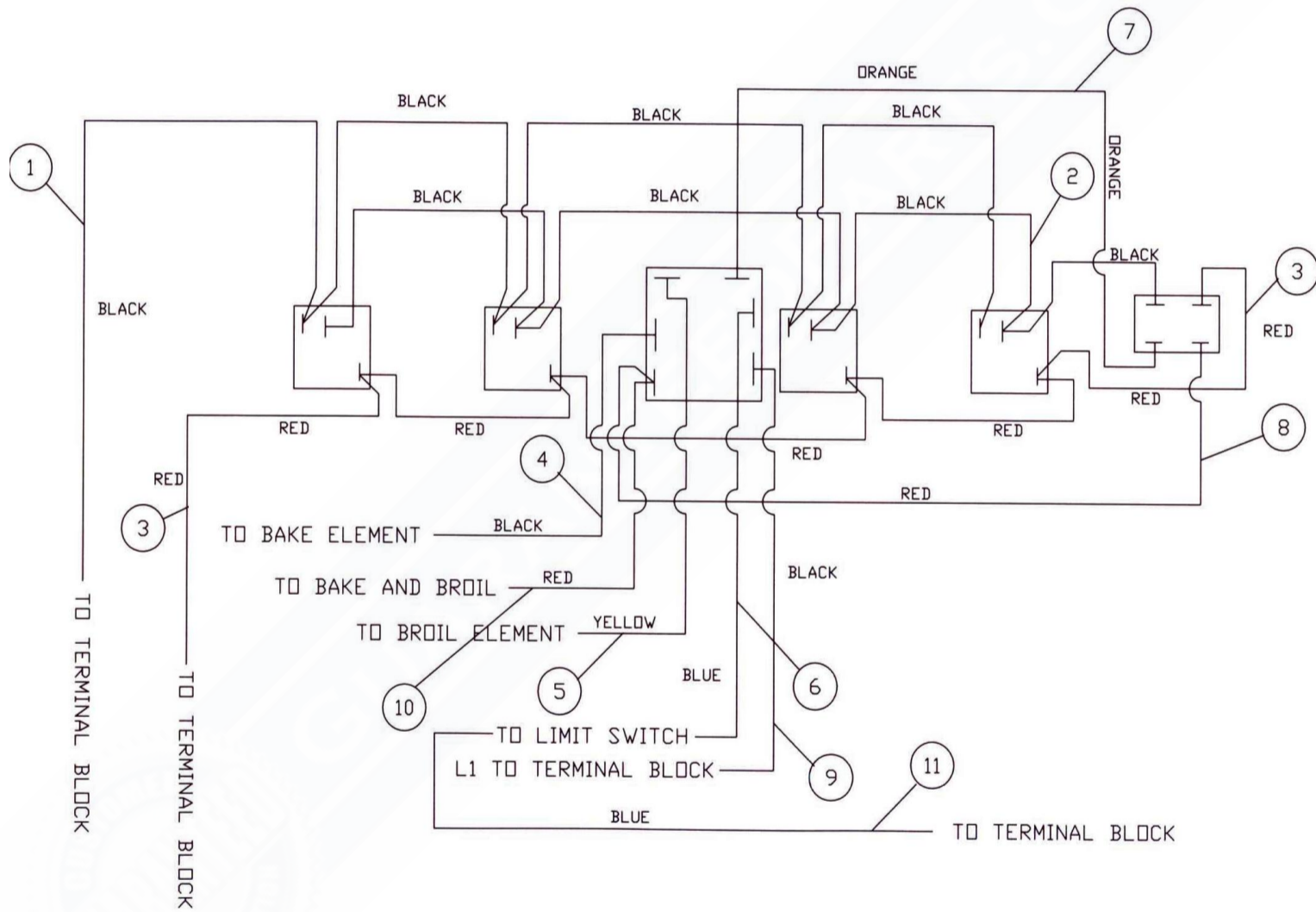
1	14GA. BLACK JUMPER WIRE 12 GA. BLACK AND YELLOW WIRE	3060B -----
2	18GA. BLACK JUMPER WIRE	3051A
3	14GA. RED JUMPER WIRE 12GA. RED AND BLUE JUMPER WIRE	3061B -----
4	BLACK BAKE ELEMENT WIRE	3099A
5	YELLOW BROIL ELEMENT WIRE	3100A
6	BLUE LIMIT SWITCH WIRE	3096A
7	ORANGE INDICATOR LIGHT WIRE	-----
8	RED INDICATOR LIGHT JUMPER WIRE	-----
9	BLACK TERMINAL BLOCK WIRE	3105
10	RED BAKE AND BROIL JUMPER WIRE	3103
11	BLUE TERMINAL BLOCK WIRE	3097B



24 & 30 IN. ELECTRIC RANGE WIRING

Ref No.	DESCRIPTION	20"	24"	30"
---------	-------------	-----	-----	-----

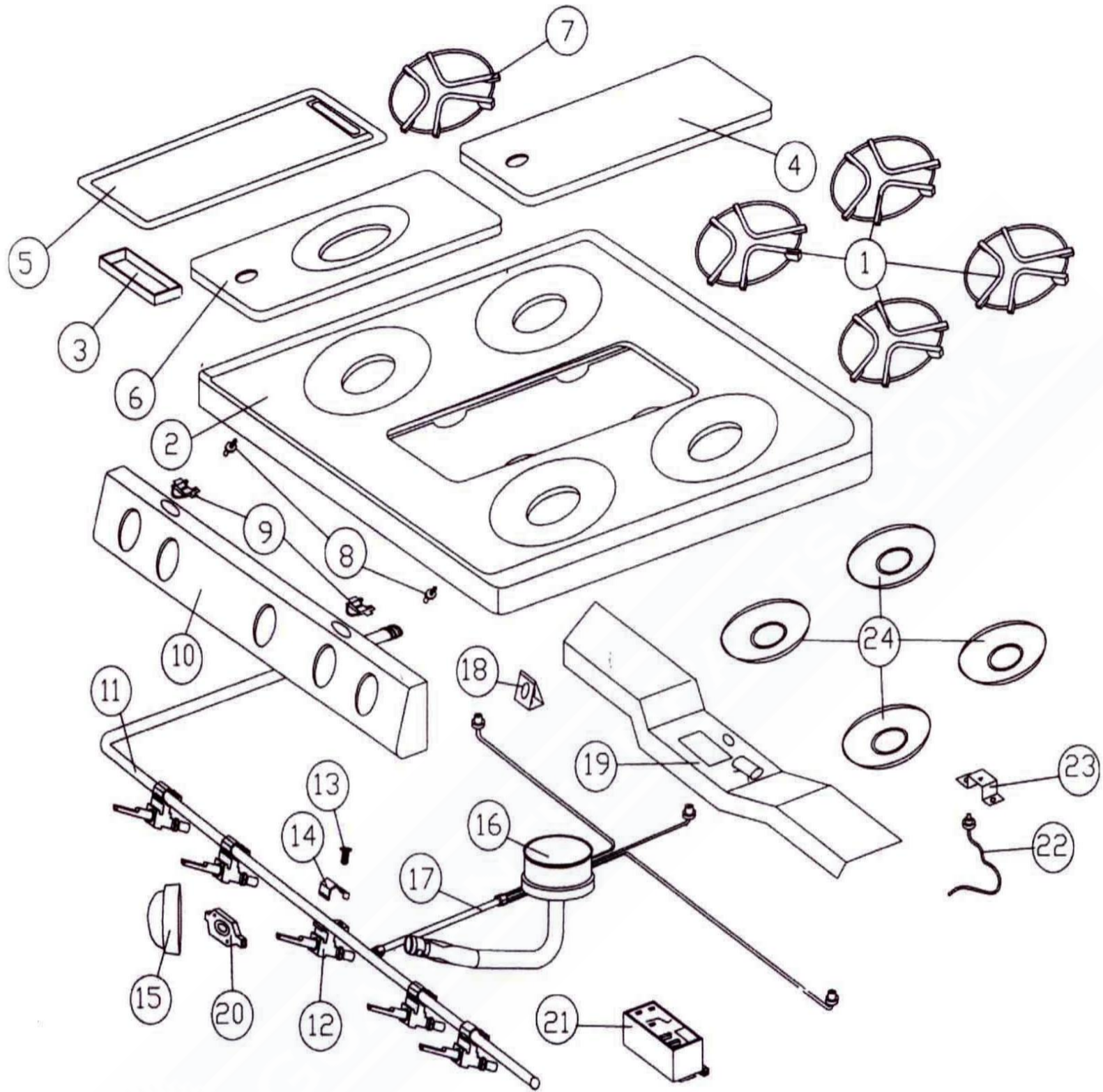
1	14GA. BLACK JUMPER WIRE		3060B	3060B
	12 GA. BLACK AND YELLOW WIRE		-----	3101B
2	18GA. BLACK JUMPER WIRE		3051A	3051A
3	14GA. RED JUMPER WIRE		3061B	3061B
	12GA. RED AND BLUE JUMPER WIRE		-----	3102B
4	BLACK BAKE ELEMENT WIRE		3099A	3099A
5	YELLOW BROIL ELEMENT WIRE		3100A	3100A
6	BLUE LIMIT SWITCH WIRE		3096A	3096A
7	ORANGE INDICATOR LIGHT WIRE		3095A	3095A
8	RED INDICATOR LIGHT JUMPER WIRE		3094A	3094A
9	BLACK TERMINAL BLOCK WIRE		3105	3105
10	RED BAKE AND BROIL JUMPER WIRE		3103	3103
11	BLUE TERMINAL BLOCK WIRE		3097B	3097B



R-SERIES GRIDDLE AND FIFTH BURNER FOR 30 & 36 INCH GAS RANGE

<u>Ref No.</u>	<u>DESCRIPTION</u>	<u>20"</u>	<u>24"</u>	<u>30"</u>	<u>36"</u>
1	TOP GRID			59726	7080
2	MAIN TOP			5293	5289
3	GREASE CUP			59649	59649
4	GRIDDLE COVER			57688	0900
5	GRIDDLE			57687	7371
6	FIFTH BURNER BOWL			59386	7773
7	FIFTH BURNER GRID			59726	59726
8	MAIN TOP STRIKE PIN			4871	4871
9	MAIN TOP STRIKE CATCH			4973	4973
10	MANIFOLD COVER- NO SWITCH OPENING			5153	5154
10a	MANIFOLD COVER- SWITCH OPENING (not shown)			5160	5161
10b	MANIFOLD COVER DECAL (not shown)			4988	4989
11	MANIFOLD PIPE			1765	1766
12	TOP BURNER VALVES- SET FOR NAT. GAS			1226	1226
13	TOP BURNER VALVE AND THERMOSTAT SCREW			1228	1228
14	TOP BURNER VALVE AND THERMOSTAT CLAMP			1227	1227
15	TOP BURNER VALVE KNOB			6290	6290
16	FIFTH BURNER			1400	1403
17	FIFTH BURNER 3-TUBE PILOT (PILOT IGNITION)			1507	1507
18	FIFTH BURNER PILOT SHIELD (PILOT IGNITION)			0870	0870
19	TOP BURNER HANGER			0544	0546
20	TOP BURNER VALVE SWITCH			1248	1248
21	SPARK MODULE- 110VOLT- HARPER 4+1			2362	2362
22	FIFTH BURNER ELECTRODE			1486	1486
23	FIFTH BURNER ELECTRODE GROUND STRAP			1488	1488
24	CHROME BURNER BOWLS			57965	7082

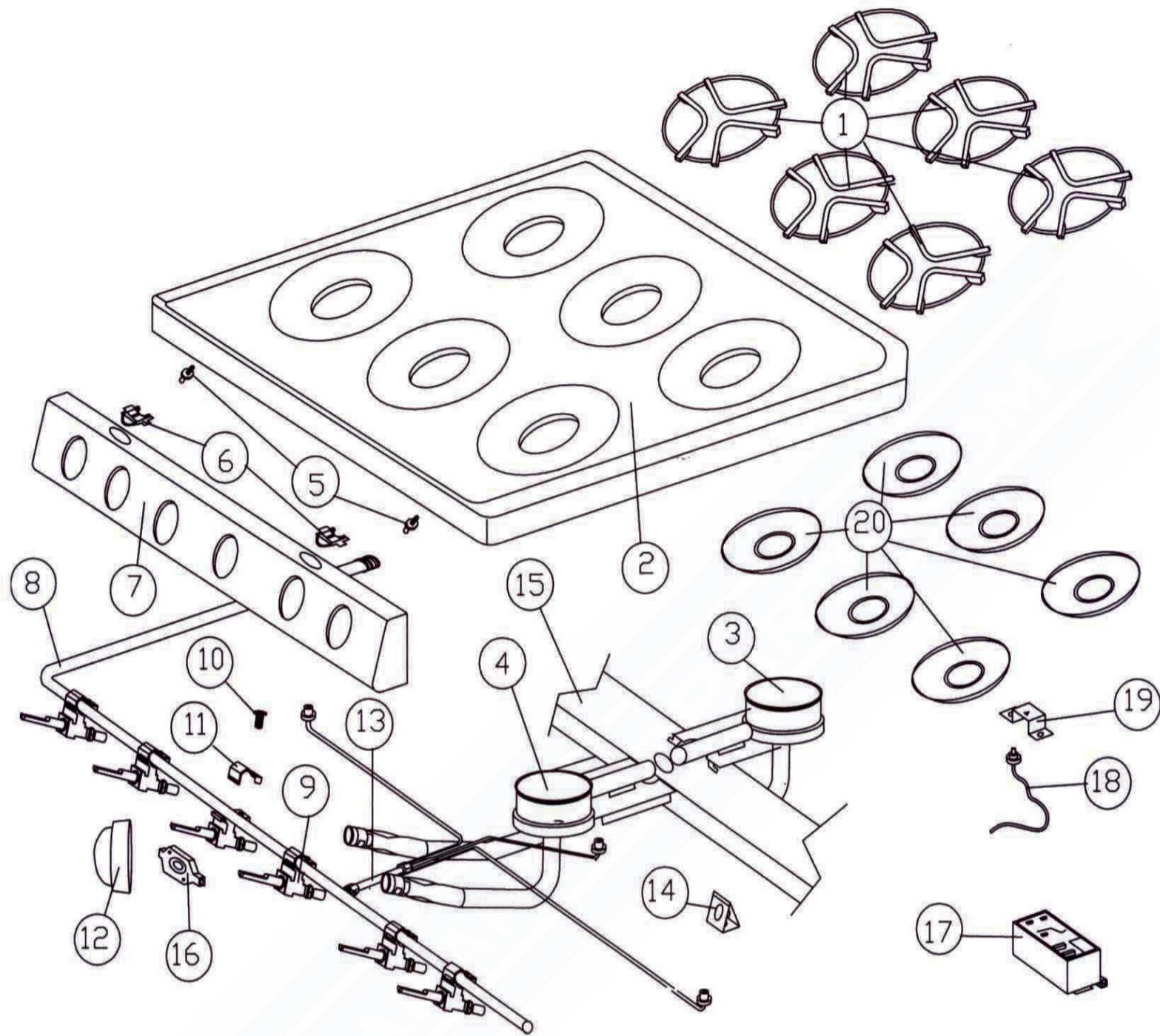
R-SERIES GRIDDLE AND FIFTH BURNER FOR 30 & 36 INCH GAS RANGE



R-SERIES 6 BURNER 36 INCH GAS RANGE

<u>Ref No.</u>	<u>DESCRIPTION</u>	<u>20"</u>	<u>24"</u>	<u>30"</u>	<u>36"</u>
1	TOP GRID				7080
2	MAIN TOP				5287
3	REAR TOP BURNERS				1399
4	FRONT TOP BURNERS				1398
5	MAIN TOP STRIKE PIN				4871
6	MAIN TOP STRIKE PIN CATCH				4973
7	MANIFOLD COVER-NO SWITCH OPENING				5155
7a	MANIFOLD COVER-SWITCH OPENING				5162
7b	MANIFOLD COVER DECAL				4990
8	MANIFOLD PIPE				1767
9	TOP BURNER VALVES SET FOR NAT. GAS				1226
10	TOP BURNER VALVE AND THERMOSTAT SCREW				1228
11	TOP BURNER VALVE AND THERMOSTAT CLAMP				1227
12	TOP BURNER VALVE KNOB				6290B
13	TOP BURNER 3-TUBE PILOT (PILOT IGNITION)				1507
14	TOP BURNER PILOT SHIELD (PILOT IGNITION)				0870
15	TOP BURNER HANGER				0547
16	TOP BURNER VALVE SWITCH (SPARK IGNITION)				1248
17	SPARK MODULE- 110VOLT				2363
18	TOP BURNER ELECTRODE				1486
19	TOP BURNER ELECTRODE GROUND STRAP				1488
20	CHROME BURNER BOWLS				7082

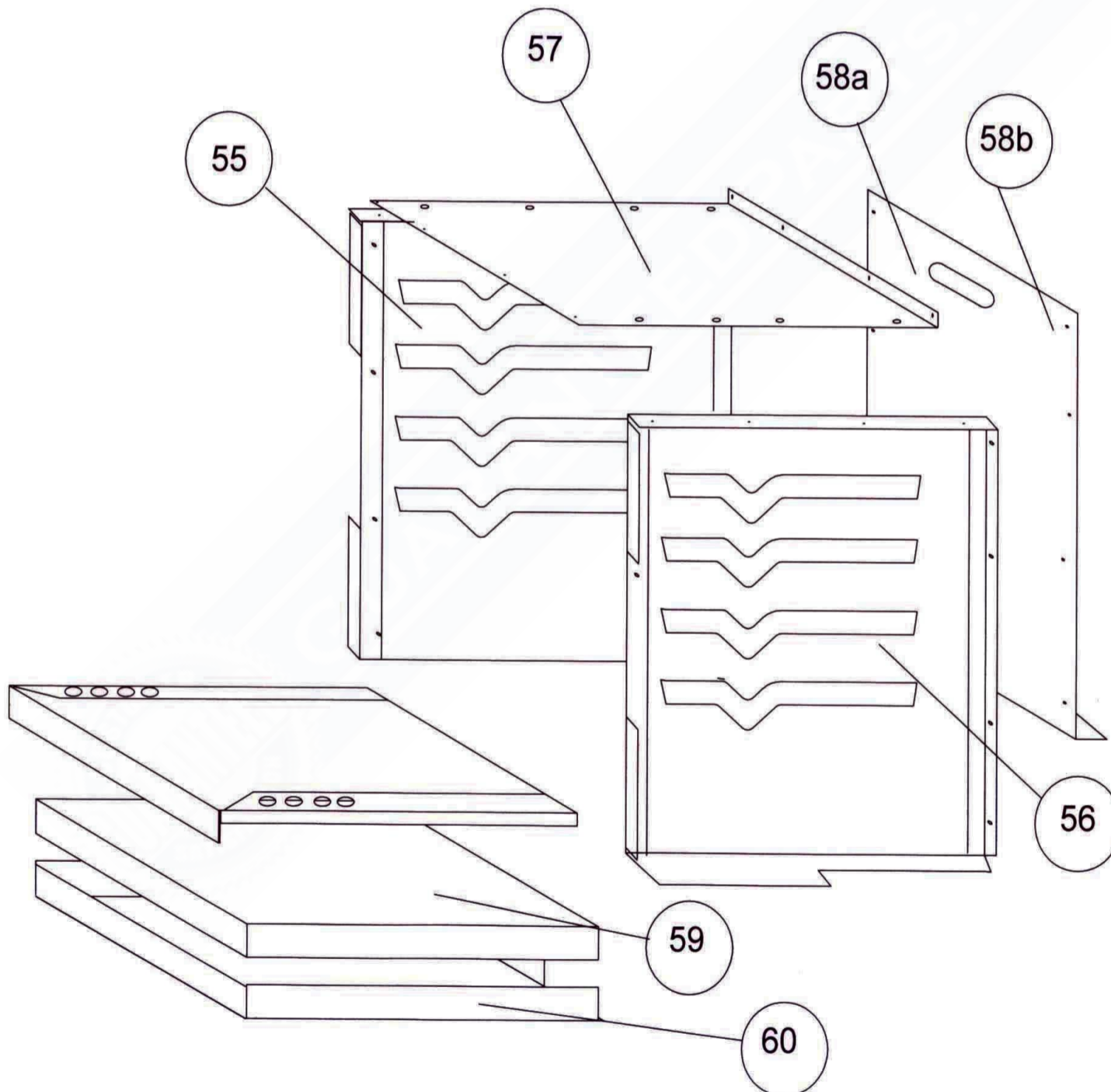
R-SERIES 6-BURNER 36 INCH GAS RANGE



OVEN CAVITY- All Models

Ref No.	DESCRIPTION	20"	24"	30"	36"
55	LEFT OVEN SIDE LINING	5805	5805	5805	
56	RIGHT OVEN SIDE LINING	5807	5807	5807	
57	OVEN TOP LINING (Gas Range)	5707	5711	5715	
57	OVEN TOP LINING (Electric Range)	5799	5801	5803	
58	REAR OVEN LINING (Without Light) Gas Range	5872	5876	5880	
58B	REAR OVEN LINING (With Light) Gas Range	5873	5877	5881	
58	REAR OVEN LINING (Without Light) Electric Range	5884	5888	5892	
58B	REAR OVEN LINING (With Light) Electric Range	5885	5889	5893	
59	OVEN BOTTOM INSULATION (Electric Range only)	8970	8972	8971	
60	OVEN BOTTOM INSULATION RETAINER (Electric Range only)	0956	0955	0954	
61	OVEN BOTTOM SUPPORT SCREW	-----	60109	60109	

OVEN CAVITY- All Models

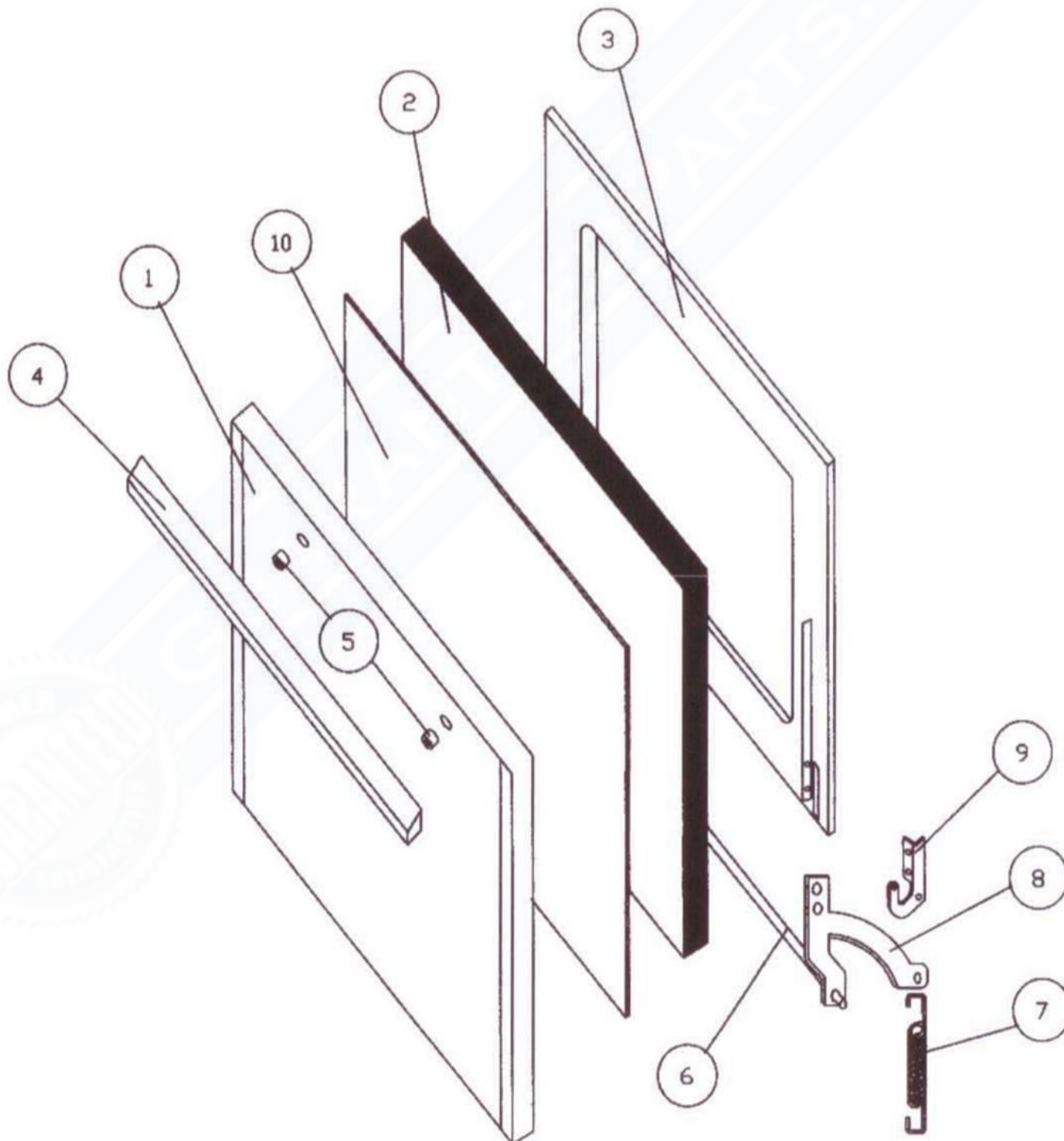


20 IN. SOLID OVEN DOOR

Ref No. DESCRIPTION

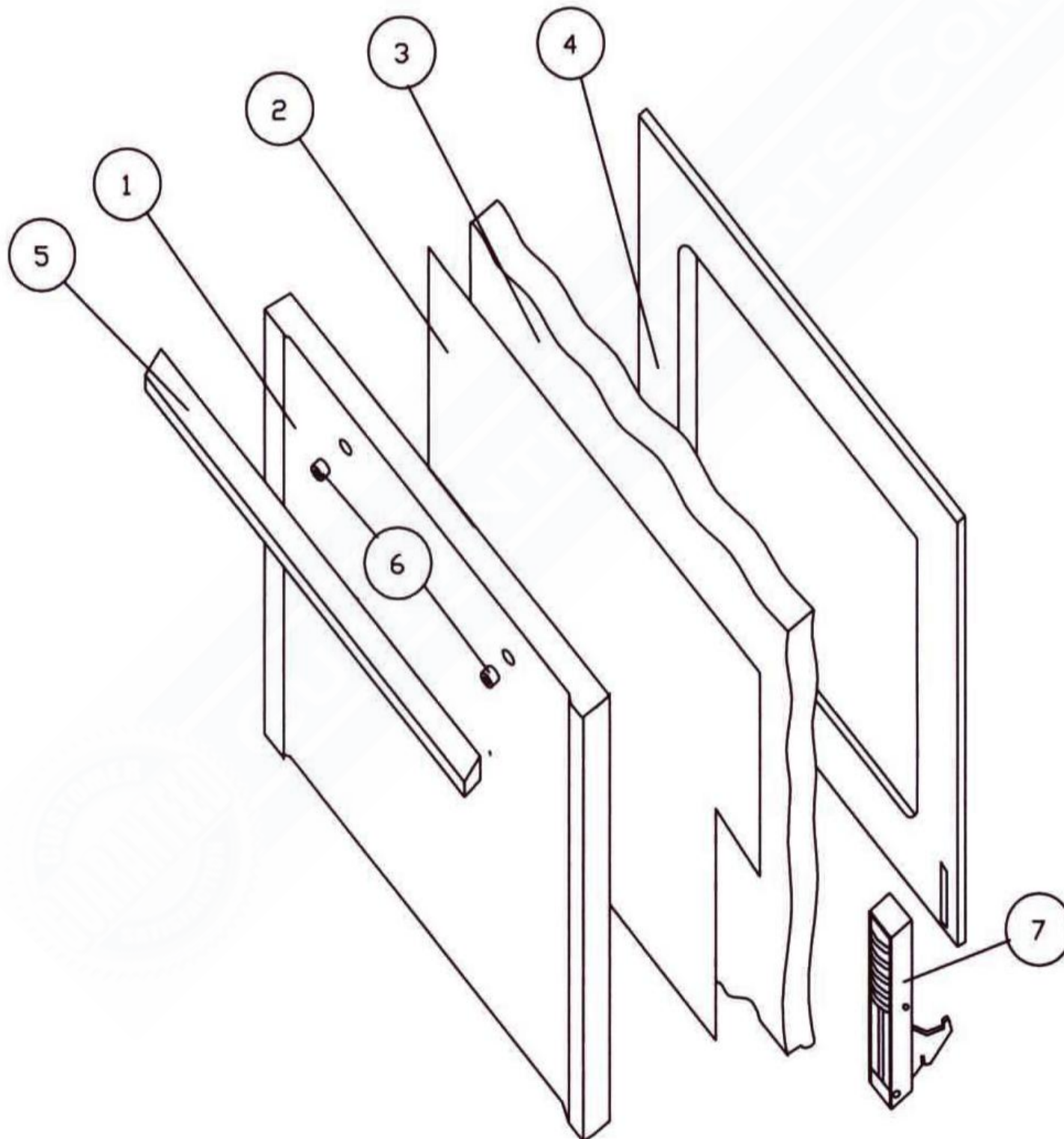
20"

1	SOLID OVEN DOOR PANEL- ELEC. OR GAS	5348
2	OVEN DOOR INSULATION- ELEC. OR GAS	8713
3	SOLID OVEN DOOR LINING	5593
4	OVEN DOOR HANDLE	6577
4a	OVEN DOOR HANDLE SCREWS (not shown)	59991
5	OVEN DOOR HANDLE SPACERS	4680
6	OVEN DOOR ROD	8183
7	OVEN DOOR SPRING	8071
8	LEFT OVEN DOOR HINGE	8184
8a	RIGHT OVEN DOOR HINGE (SHOWN)	8185
9	LEFT HINGE BEARING	8272
9a	RIGHT HINGE BEARING (SHOWN)	8273
10	INNER DOOR PANEL-GAS OR ELEC.	0658



24, 30, 36 IN. SOLID OVEN DOOR

Ref No.	DESCRIPTION	20"	24"	30"	36"
1	SOLID OVEN DOOR PANEL- ELEC. OR GAS		5346	5347	5347
2	INNER DOOR PANEL-GAS OR ELEC.		0699	0696	0696
3	OVEN DOOR INSULATION- ELEC. OR GAS		8710	8710	8710
4	SOLID OVEN DOOR LINING		5494	5495	5495
5	OVEN DOOR HANDLE		6577	6578	6578
5a	OVEN DOOR HANDLE SCREWS (not shown)		59991	59991	59991
6	OVEN DOOR HANDLE SPACERS		4680	4680	4680
7	OVEN DOOR HINGE		8202	8202	8202

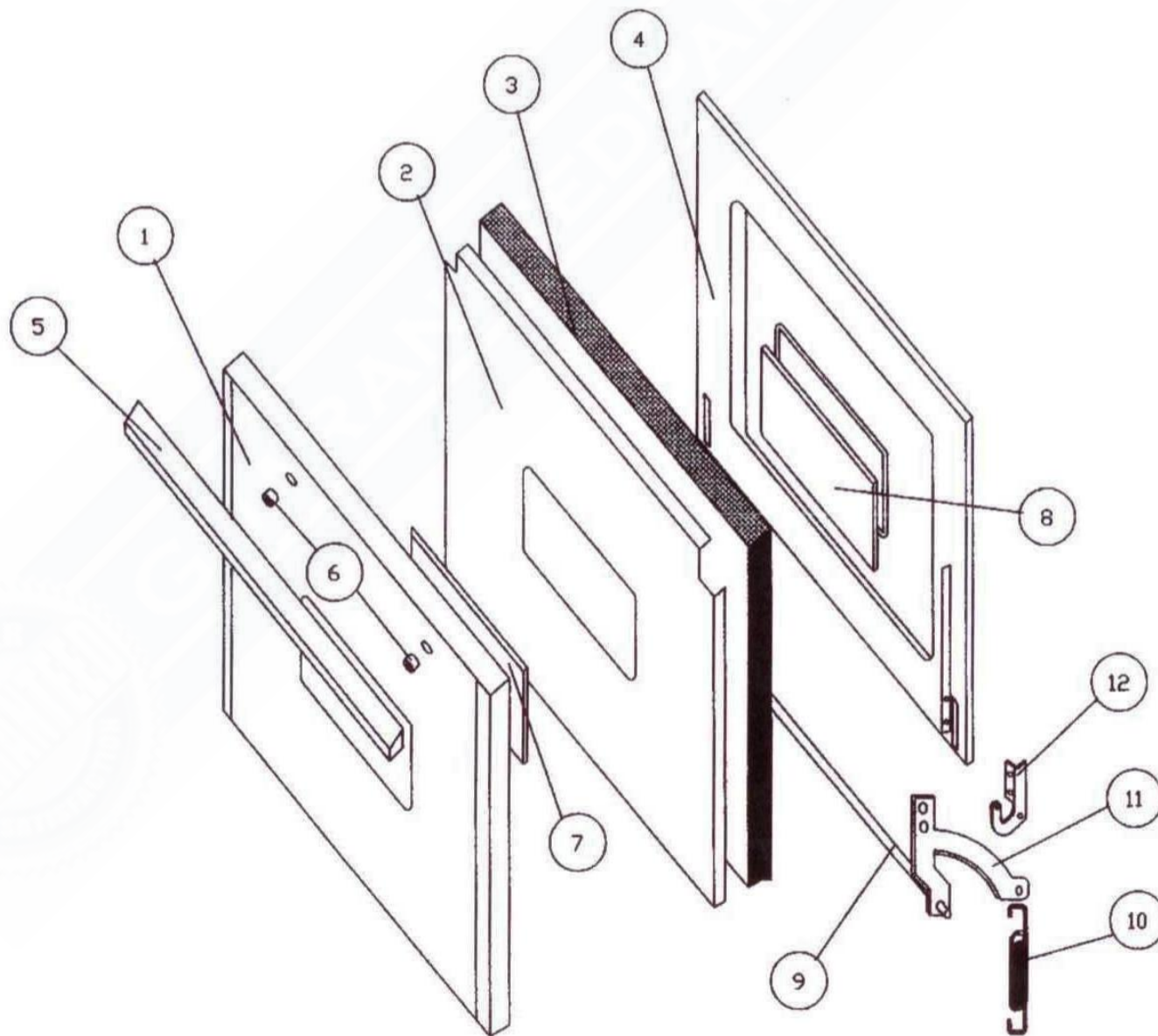


20 IN. WINDOWED OVEN DOORS

Ref No. DESCRIPTION

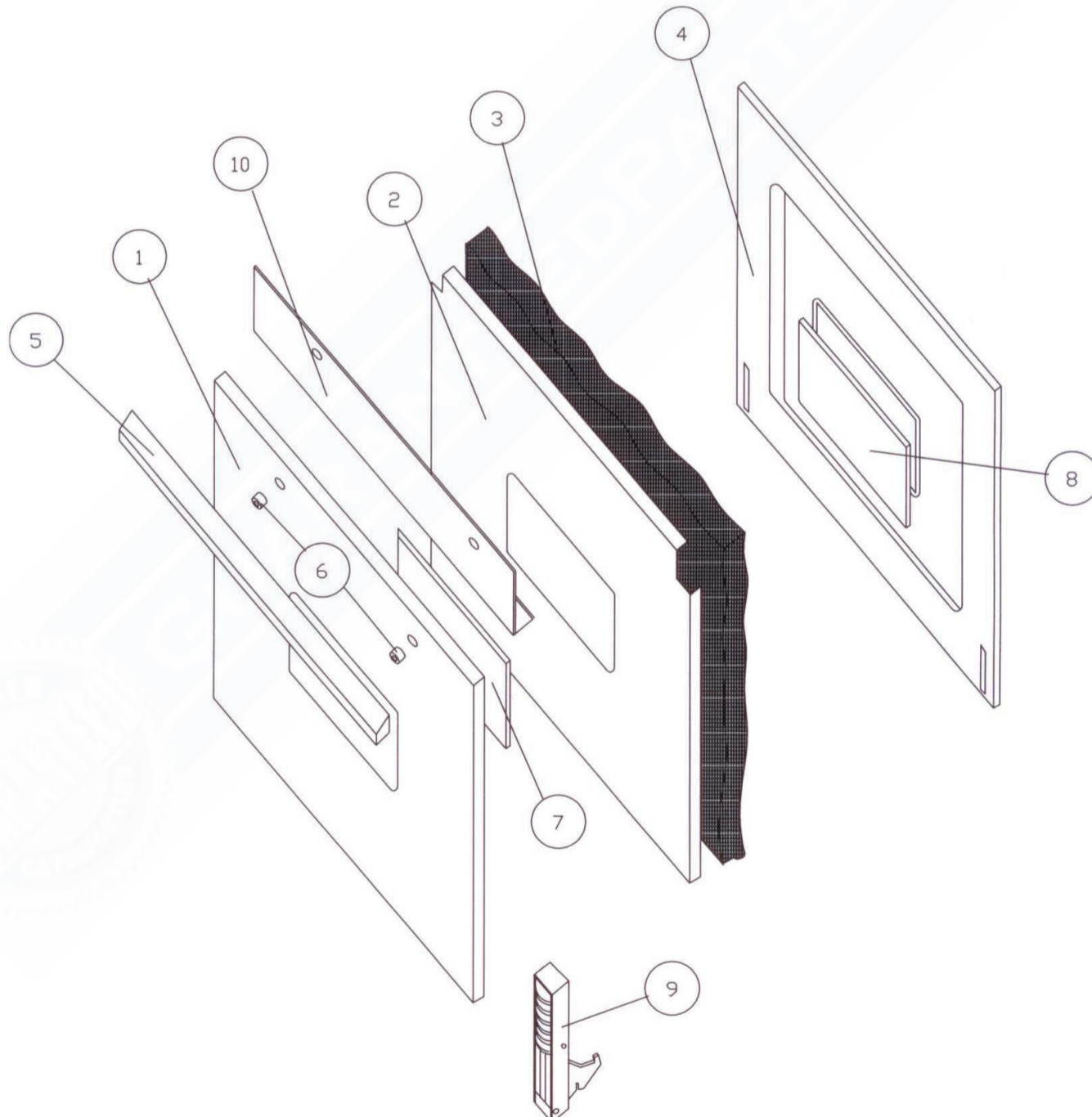
20"

1	WINDOWED OVEN DOOR PANEL	5345
2	INNER DOOR PANEL	0655
3	OVEN DOOR INSULATION	8708
4	WINDOWED OVEN DOOR LINING	5594
5	OVEN DOOR HANDLE	6577
5a	OVEN DOOR HANDLE SCREW	59991
6	OVEN DOOR HANDLE SPACER	4681
7	OUTSIDE GLASS WINDOW PANE- CLEAR	4285
8	INSIDE GLASS WINDOW PANE- CLEAR	4285
9	OVEN DOOR ROD	8183
10	OVEN DOOR SPRING	8071
11	LEFT OVEN DOOR HINGE	8124
11a	RIGHT OVEN DOOR HINGE (SHOWN)	8185
12	LEFT HINGE BEARING	8272
12a	RIGHT HINGE BEARING (SHOWN)	8273



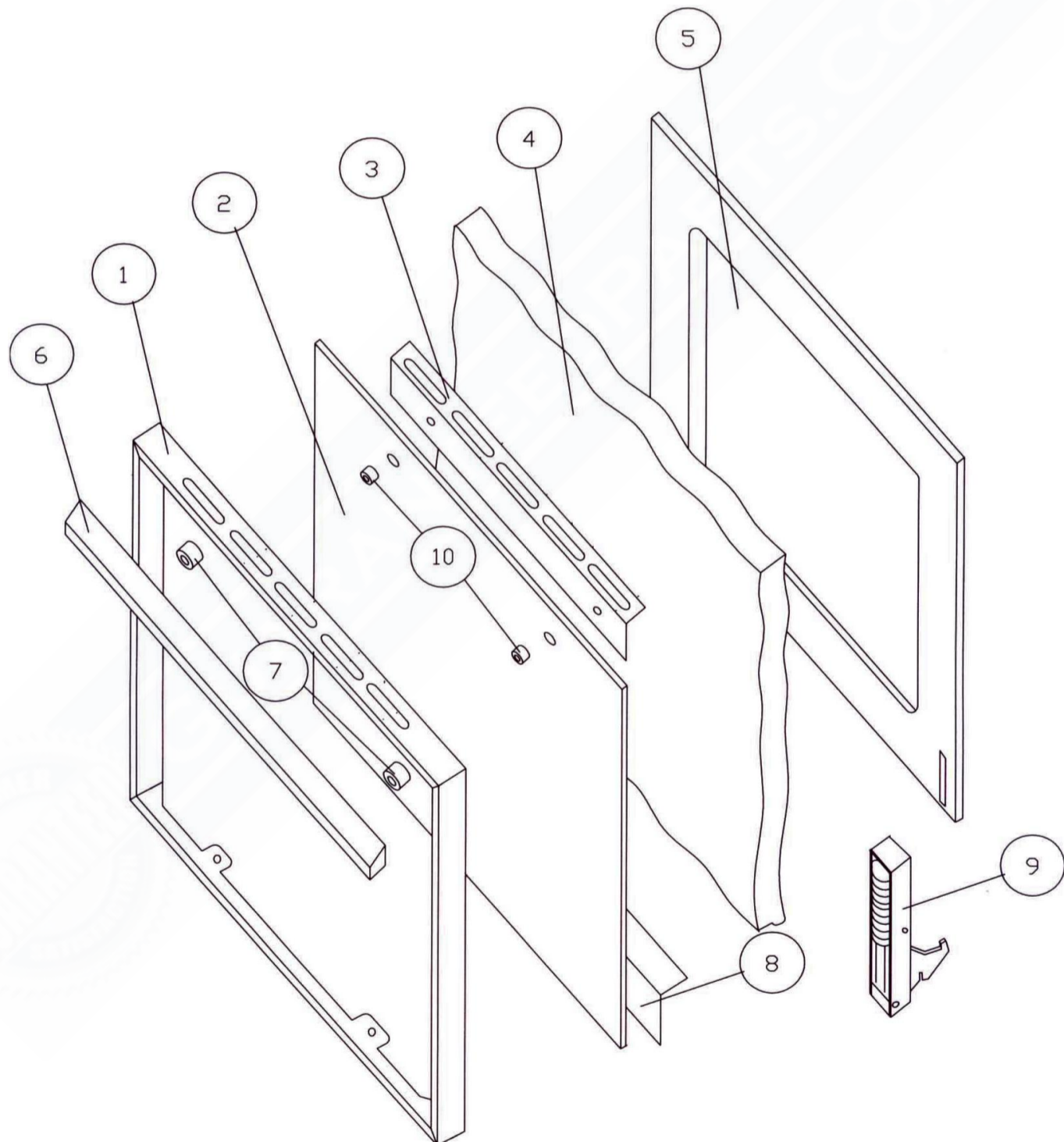
24, 30, 36 IN. WINDOWED OVEN DOORS

Ref No.	DESCRIPTION	20"	24"	30"	36"
1	WINDOWED OVEN DOOR PANEL		5332	5334	5334
2	INNER DOOR PANEL		0663	0664	0664
3	OVEN DOOR INSULATION		8709	8711	8711
4	WINDOWED OVEN DOOR LINING		5496	5497	5497
5	OVEN DOOR HANDLE		6577	6578	6578
5a	OVEN DOOR HANDLE SCREW (not shown)		59991	59991	59991
6	OVEN DOOR HANDLE SPACER		4681	4681	4681
7	OUTSIDE GLASS WINDOW PANE- CLEAR		4284	4284	4284
8	INSIDE GLASS WINDOW PANE- CLEAR		4284	4284	4284
9	LIFT-OFF HINGE		8202	8201	8201
10	WINDOWED OVEN DOOR BAFFLE		0665	-----	-----



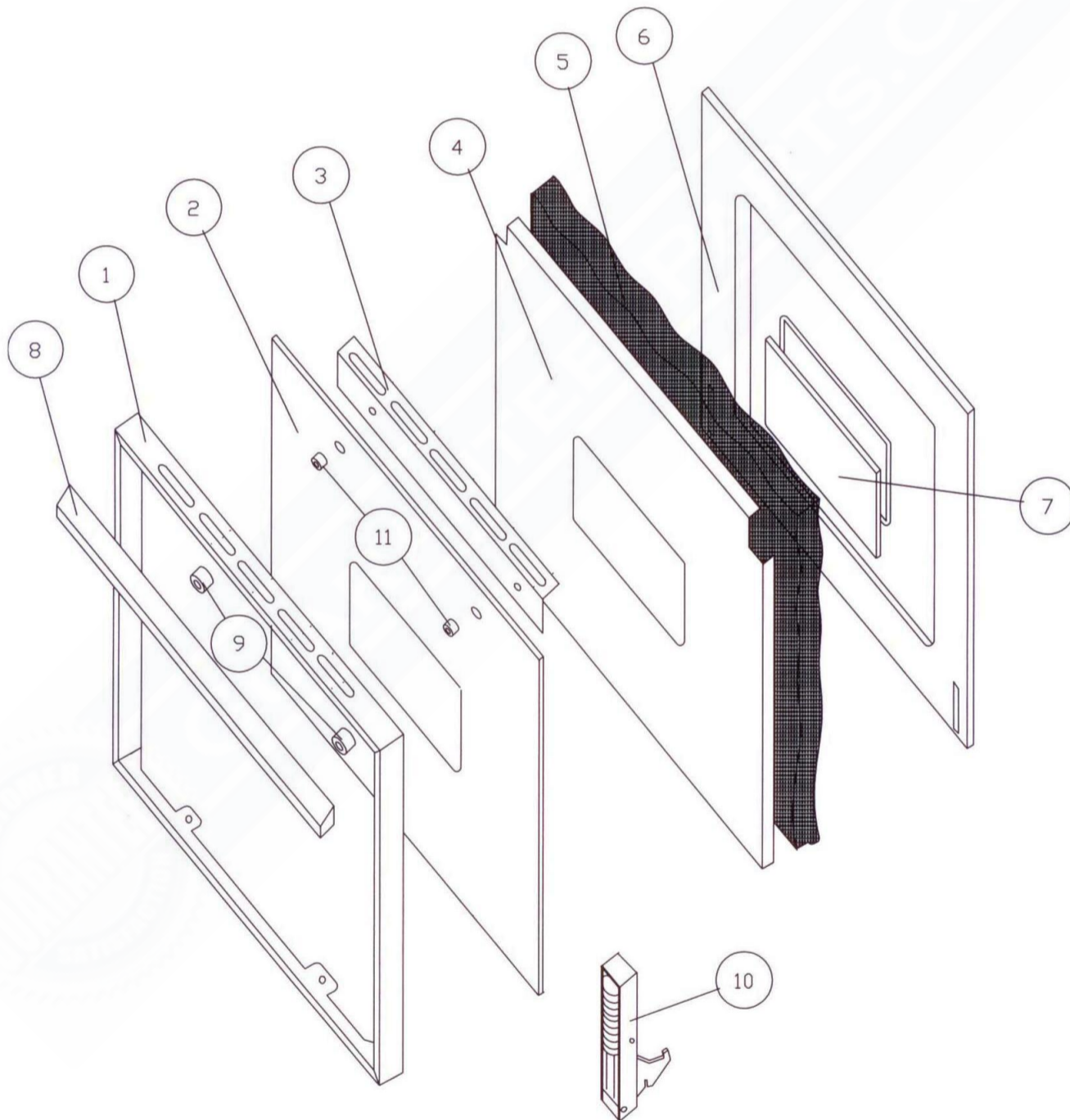
24 & 30 IN. BLACK GLASS OVEN DOOR (SOLID)

Ref No.	DESCRIPTION	20"	24"	30"
1	OVEN DOOR TRIM		9804	9805
2	BLACK GLASS PANE-SOLID		4364	4368
3	BLACK GLASS HANDLE SUPPORT BRACKET		0783	0783
4	BLACK GLASS DOOR INSULATION		8710	8712
5	OVEN DOOR LINING- SOLID		5494	5495
6	OVEN DOOR HANDLE		6577	6578
6a	OVEN DOOR HANDLE SCREW (not shown)		59993	59993
7	OVEN DOOR HANDLE SPACERS		4680	4680
8	DOOR TRIM BRACKET		0455	0454
9	LIFT-OFF HINGE		8200	8201
10	RUBBER GLASS SPACER		60113	60113



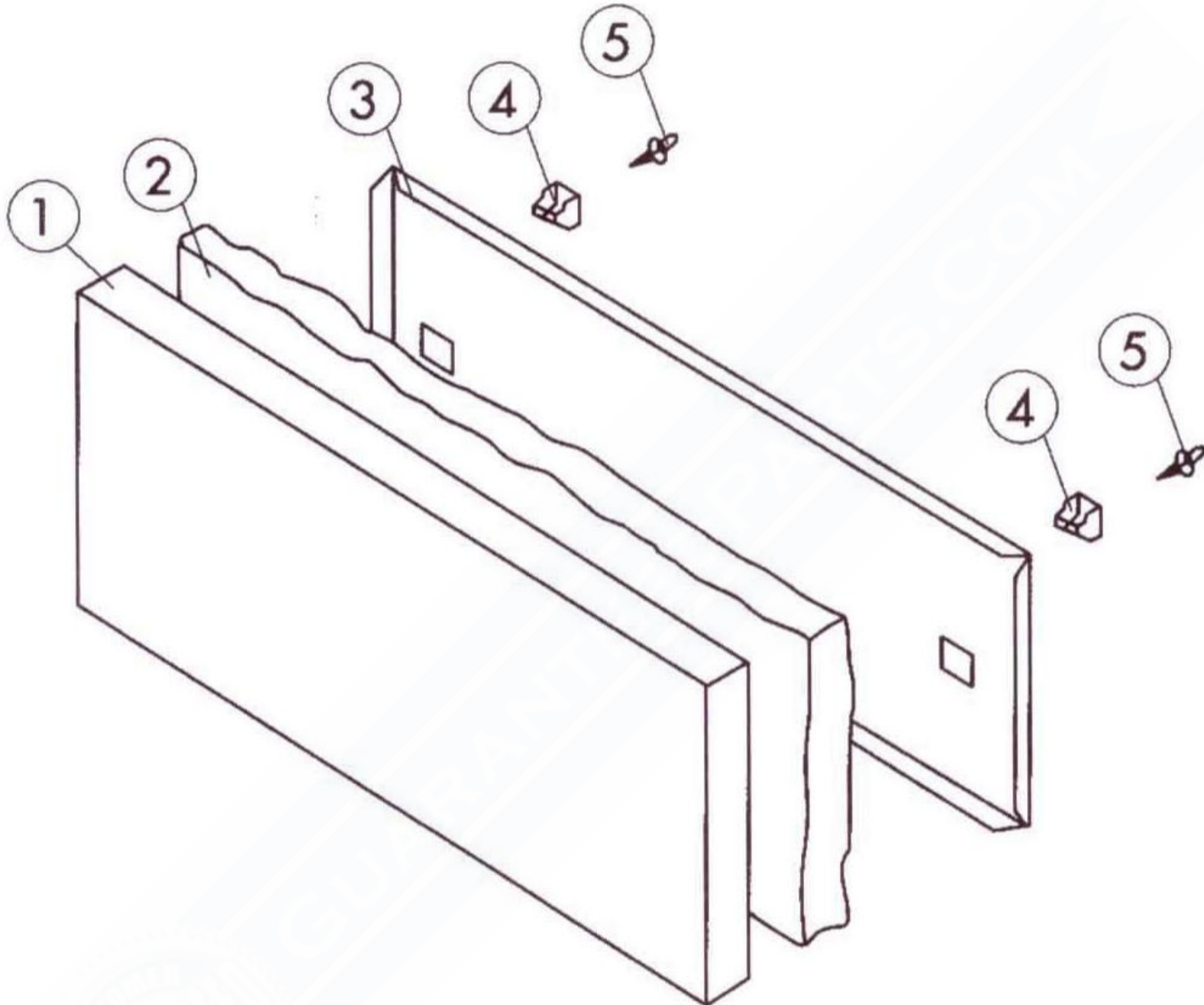
24 & 30 IN. BLACK GLASS OVEN DOOR (WINDOWED)

Ref No.	DESCRIPTION	20"	24"	30"	36"
1	OVEN DOOR TRIM		9804	9805	9805
2	BLACK GLASS PANE-WINDOWED		4365	4369	4369
3	BLACK GLASS HANDLE SUPPORT BRACKET		0783	0783	0783
4	INNER DOOR PANEL		0663	0664	0664
5	OVEN DOOR INSULATION		8709	8711	8711
6	OVEN DOOR LINING- WINDOWED		5496	5497	5497
7	INSIDE GLASS WINDOWED PANE-CLEAR		4284	4284	4284
8	OVEN DOOR HANDLE- BLACK		6577B	6578B	6578B
8a	OVEN DOOR HANDLE SCREW (not shown)		59993	59993	59993
9	OVEN DOOR HANDLE SPACERS		4680	4680	4680
10	LIFT-OFF HINGE		8200	8201	8201
11	RUBBER GLASS SPACER		60113	60113	60113



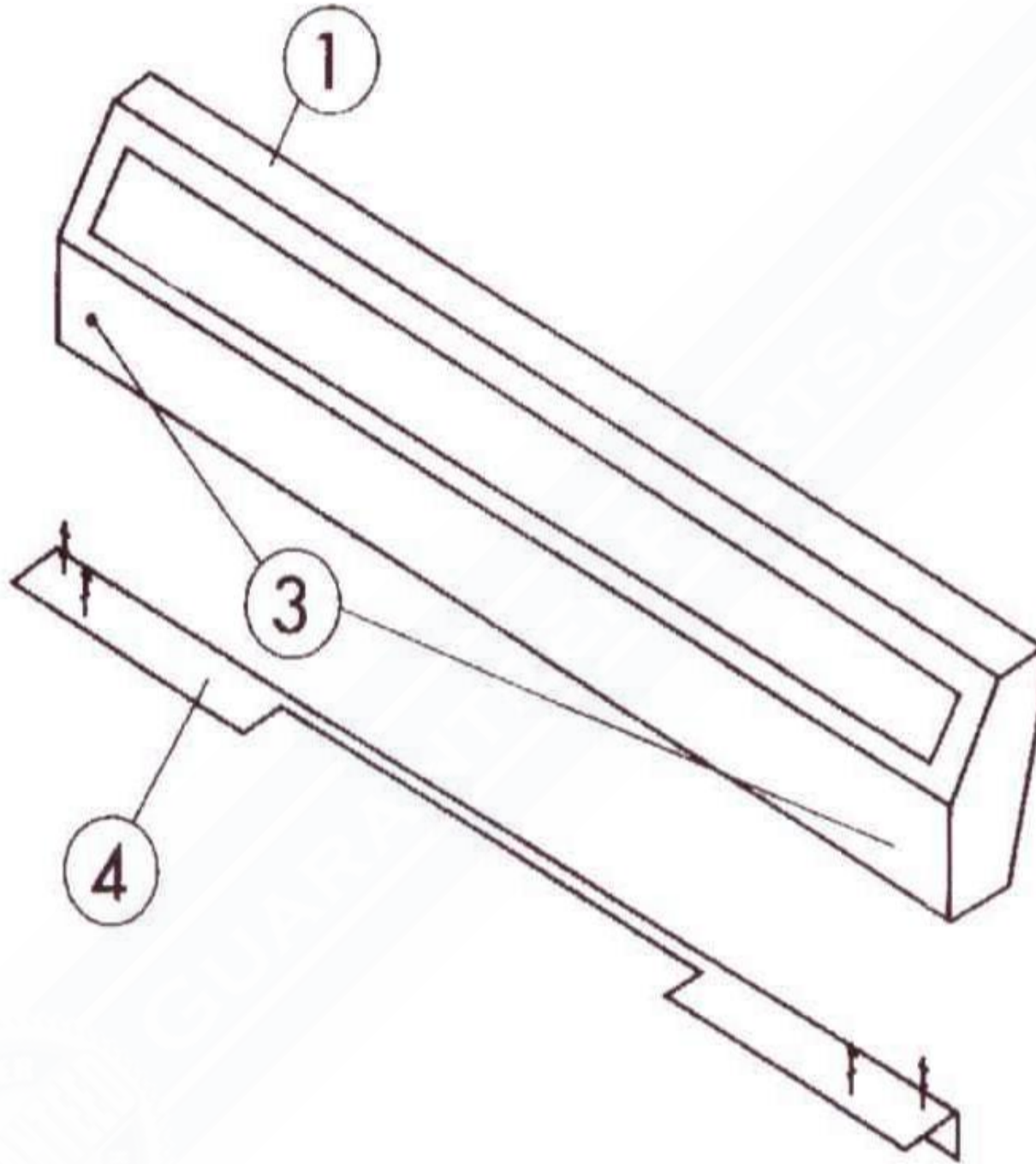
SNAP-ON BROILER DOOR GAS AND ELECTRIC

Ref No.	DESCRIPTION	20"	24"	30"	36"
1	SNAP-ON BROILER PANEL (gas range)	5399	5400	5406	
1a	SNAP-ON STORAGE PANEL (electric range)	5402	5403	5404	
2	BROILER INSULATION	8810	8811	8811	
3	SNAP-ON BROILER LINING	5498	5499	5509	
4	SNAP-ON CATCH (gas or electric range)	4976	4976	4976	
5	SNAP-ON STRIKE PIN (gas or electric range)	4878	4878	4878	



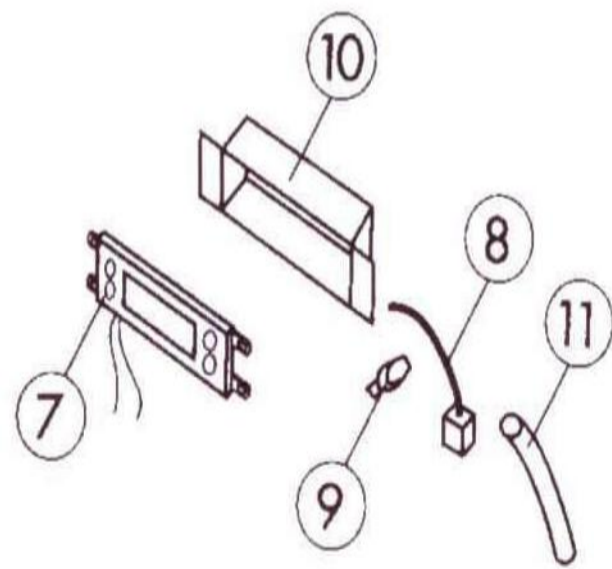
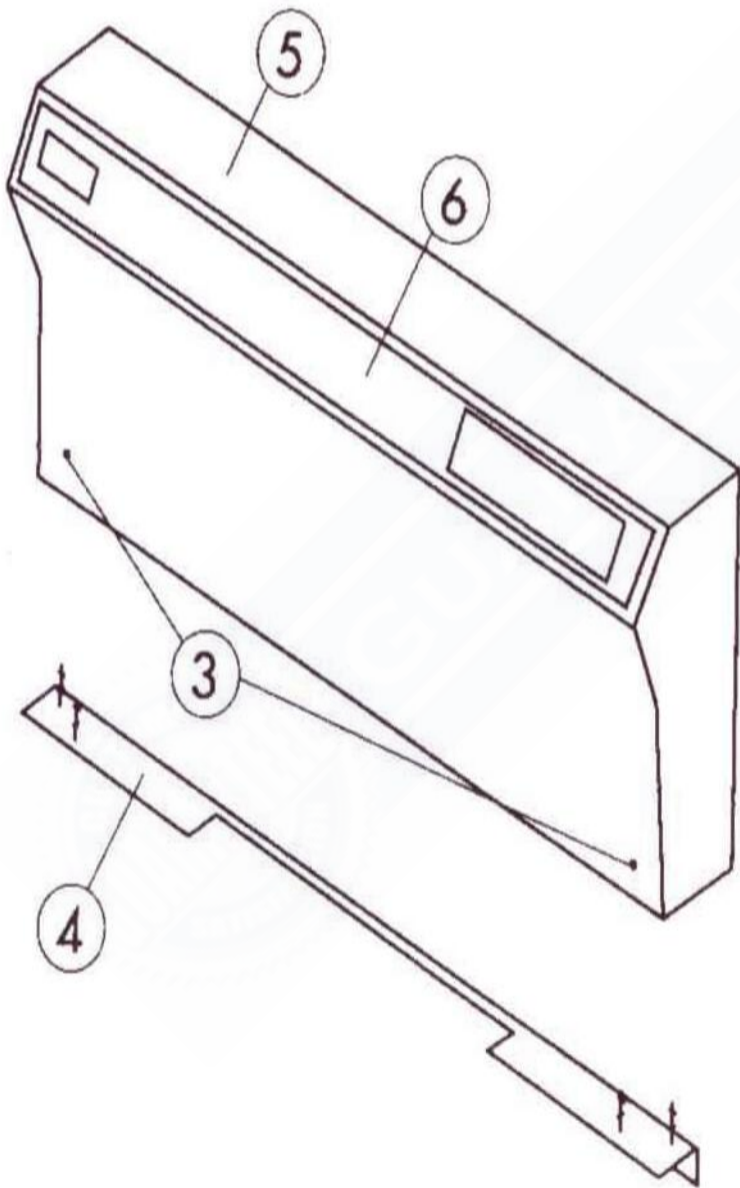
4 IN. PORCELAIN BACKGUARD

Ref No.	DESCRIPTION	20"	24"	30"	36"
1	4" PORCELAIN BACKGUARD (GAS) (not shown)	9221	9241	9231	9261
1a	4" PORCELAIN BACKGUARD (ELEC.)	9223	9243	9233	-----
3	TOP HINGE PINS	4876	4876	4876	4876
4	BACKGUARD SUPPORT (ELECTRIC RANGE ONLY)	9250	9251	9252	-----
MOUNTING HARDWARE (gas or electric)					



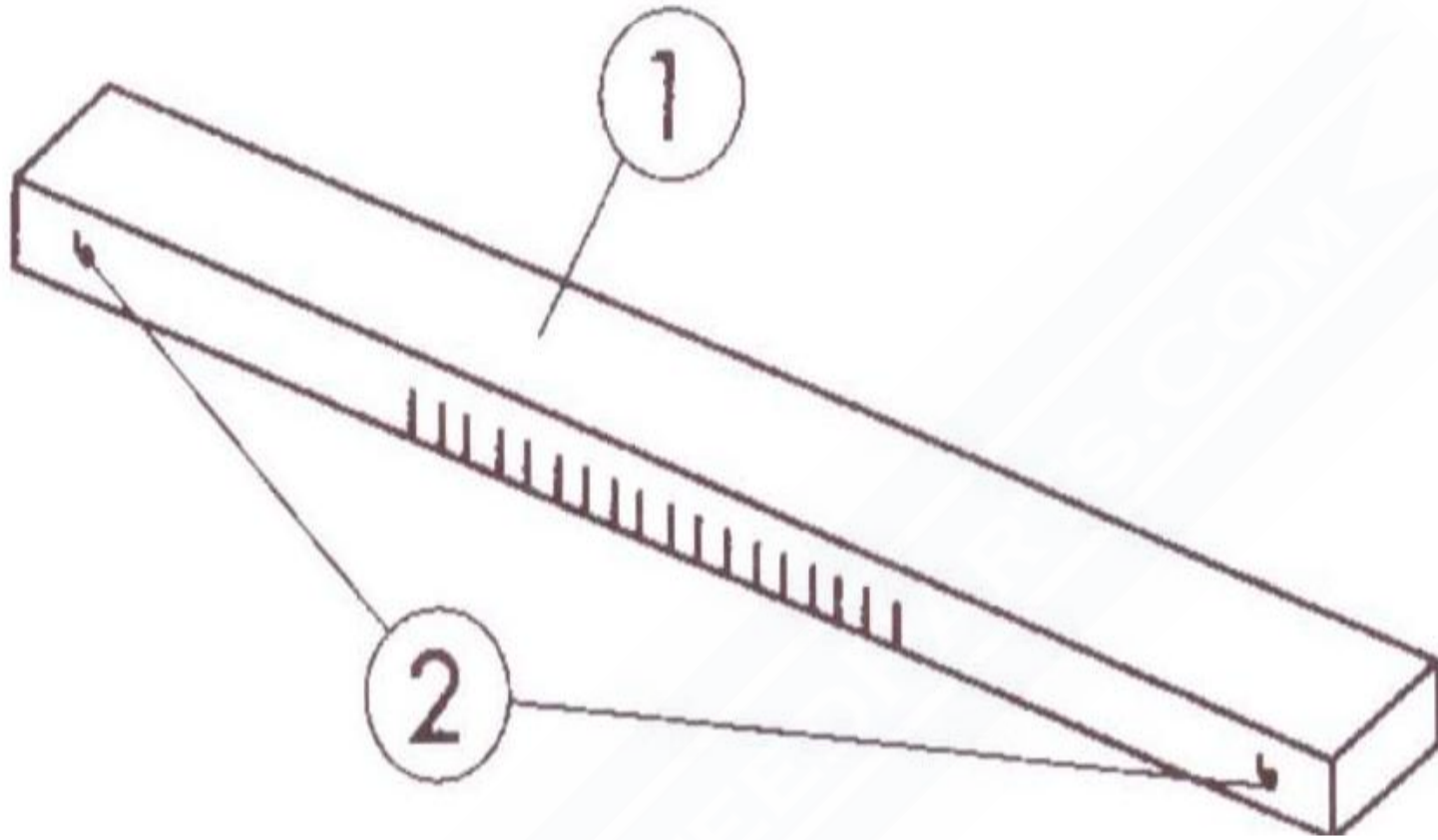
9 IN. PORCELAIN BACKGUARD

Ref No.	DESCRIPTION	20"	24"	30"	36"
3	TOP HINGE PINS	4876	4876	4876	4876
4	BACKGUARD SUPPORT (ELECTRIC RANGE ONLY)	9250	9252	9253	9253
5	9" BACKGUARD-NO CLOCK-GAS (not shown)	9270	9278	9282	9282
5a	9" BACKGUARD- WITH CLOCK-GAS (not shown)	9286	9287	-----	-----
5b	9" BACKGUARD-NO CLOCK-ELEC. (not shown)	9272	9280	-----	-----
5c	9" BACKGUARD-CLOCK-ELEC.	9288	9289	-----	-----
6	BACKGUARD DECAL- CLOCK OPENING	9616	-----	-----	-----
7	ELECTRONIC CLOCK 120V/60CY	2600	2600	-----	-----
8	HARNESS- GAS	2952C	2952C	-----	-----
8a	HARNESS- ELECTRIC	2942B	2942B	-----	-----
9	HARNESS STRAIN RELIEF	4975	4975	-----	-----
10	ELECTRONIC CLOCK COVER	9549	9549	-----	-----
11	HARNESS SLEEVING	60172	60172	-----	-----
MOUNTING HARDWARE (gas or electric)					



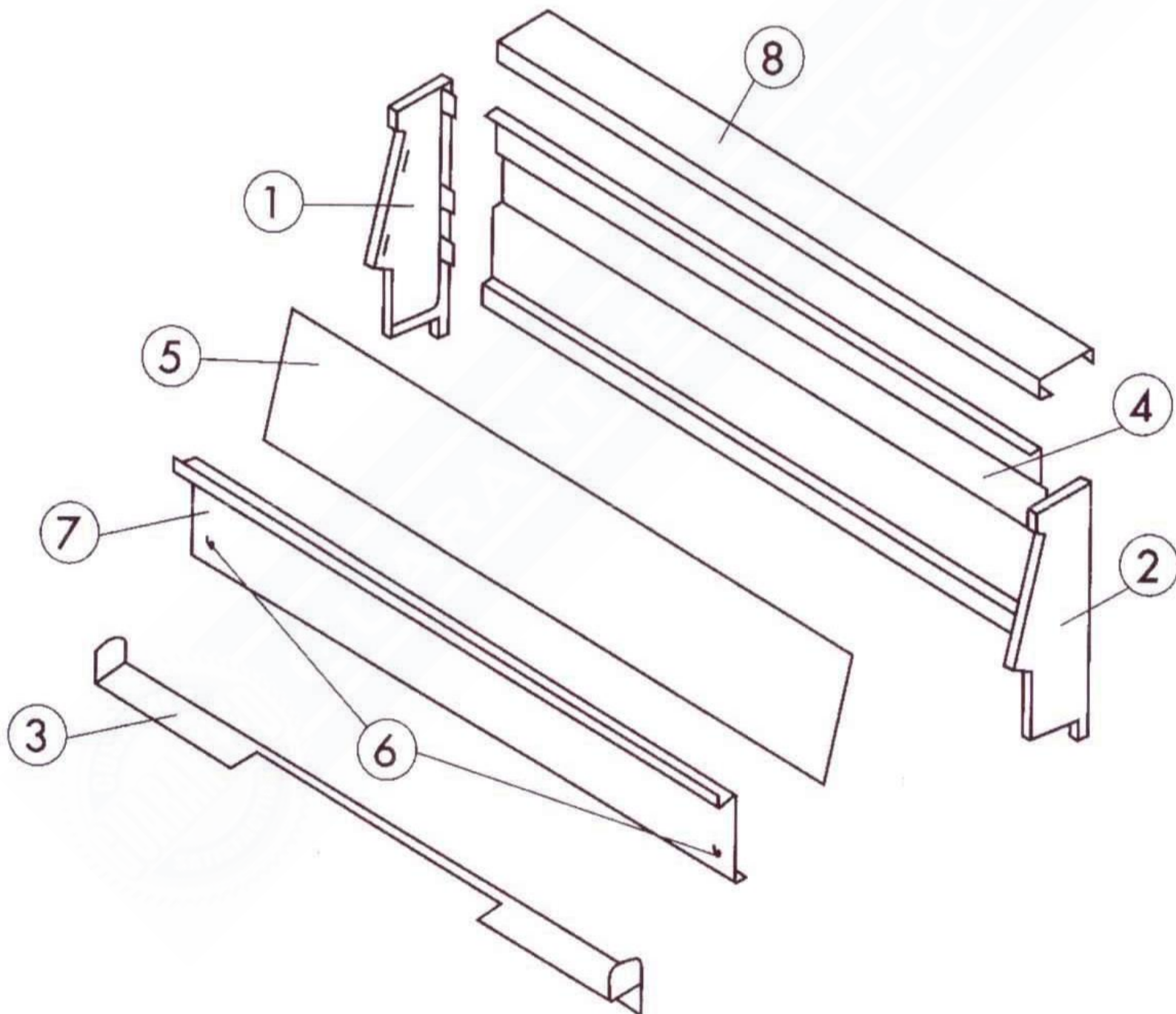
PORCELAIN VENT RAIL

Ref No.	DESCRIPTION	20"	24"	30"	36"
1	VENT RAIL (GAS)		9064	9065	9066
1a	VENT RAIL (ELECTRIC) (not shown)		9067	9068	-----
2	TOP HINGE PINS		4876	4876	4876
MOUNTING HARDWARE					



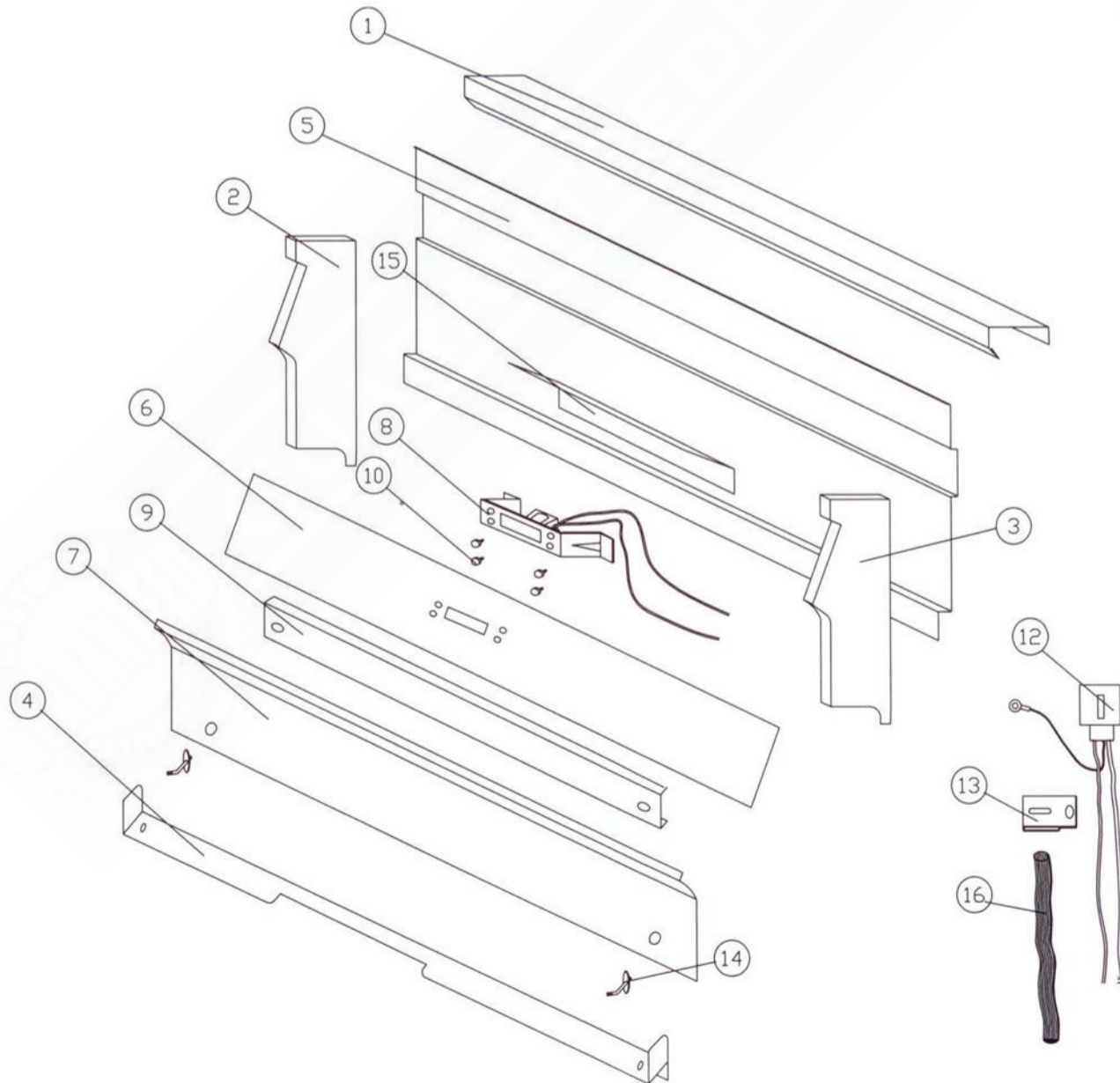
10 IN. END CAP BACKGUARD WITHOUT TIMER-DECORATED GLASS

Ref No.	DESCRIPTION	20"	24"	30"	36"
1	LEFT END CAP			9441B	
2	RIGHT END CAP			9442B	
3	BACKGUARD SUPPORT			9256	
4	BACKGUARD BACK			9547	
5	BACKGUARD GLASS PANEL			4034	
6	TOP HINGE PINS			4876	
7	PORCELAIN LOWER FRONT PANEL- GAS (not shown)			9128	
7a	PORCELAIN LOWER FRONT PANEL- ELECTRIC			9129	
7b	LOWER FRONT PANEL SUPPORT- ELECTRIC (not shown)			9106	
8	TOP RAIL			9130	
9	MOUNTING HARDWARE				



10 IN. END CAP BACKGUARD WITH ELECTRONIC TIMER-DECORATED GLASS

Ref No.	DESCRIPTION	20"	24"	30"	36"
1	TOP RAIL		9138	9130	9139
2	LEFT END CAP		9441	9441	9441
3	RIGHT END CAP		9442	9442	9442
4	BACKGUARD SUPPORT		9255	9256	9257
5	BACKGUARD BACK		9546	9547	9548
6	BACKGUARD GLASS PANEL		4026	4027	4028
7	PORCELAIN LOWER FRONT PANEL - GAS RANGE		9126	9128	9140
7a	PORCELAIN LOWER FRONT PANEL - ELEC.- RANGE		9127	9129	-----
8	ELECTRONIC CLOCK/TIMER 120V/60CY		2603	2603	2603
9	LOWER FRONT PANEL SUPPORT- ELECTRIC		-----	9106	-----
10	CLOCK/TIMER MINUTE PUSHBUTTON		2595	2595	2595
12	BACKGUARD WIRE HARNESS - GAS RANGE		2955	2955	2955
12a	BACKGUARD WIRE HARNESS - ELECTRIC RANGE		2956	2956	2956
13	HARNESS STRAIN RELIEF		4975	4975	4975
14	TOP HINGE PINS		4876	4876	4876
15	ELECTRONIC CLOCK HEAT DEFLECTOR - (GAS ONLY)		2597	2597	2597
16	HARNESS SLEEVING		59706	59706	59706
17	MOUNTING HARDWARE (not shown)				



MODEL NUMBER IDENTIFICATION CODES

1st Character - Ignition

- S Electronic Spark/Gas Range
- G Gas Pilot Range
- E Electric Range

2nd Character - Size

- A 20" Apartment Size
- C 24" Compact Size
- D 30" Electric 2-8" and 2-6" elements
- F 30" Full Size
- L 36" Large (4 and 5 Burners)
- M 30" Sealed Burner
- J 24" Sealed Burner

3rd Character - Oven Finish

- K Standard Porcelain

4th Character - Oven Door

- 1 Solid oven door
- 2 Windowed oven door w/oven light
- 3 Black glass windowed door w/oven light
- 5 Windowed door/No oven light
- 6 Stainless steel/Solid w/oven light
- 8 Black glass windowed door w/oven light and all black front

5th Character - Backguard

- 0 4" porcelain
- 2 8" porcelain w/electronic clock
- 4 10" tempered glass w/electronic clock-timer
- S 10" decorative glass
- X 1 ½" vent rail cap

6th Character - Options

- 0 No options
- 9 Griddle & 5th burner package, 4 chrome heat reflector trays
- R 4 chrome heat reflector trays

7th Character - Color

- O White on White
- W White w/black trim
- T Biscuit w/black trim
- B Black on Black

8th Character - P - Premier Brand